

Job Name: _____

Type: _____

Part #: _____

Notes: _____

LLEZXTEU-RC

REMOTE CAPABLE
THERMOPLASTIC EXIT SIGN

STANDARD



OPTIONAL



ILLUMINATION

- Ultra bright, energy efficient, long life Red or Green LEDs.

ELECTRICAL

- Dual 120/277 voltage.
- Offers 11W of remote capacity standard.
- Charge rate/power "ON" LED indicator light and push-to-test switch for mandated code compliance testing.
- LVD (low voltage disconnect) prevents battery from deep discharge.
- 6V maintenance-free, rechargeable sealed lead acid battery.
- Internal solid-state transfer switch automatically connects the internal battery to LED board and remote lamp heads for minimum 90-minute emergency illumination.
- Fully automatic solid-state, two rate charger initiates battery charging to recharge a discharged battery in 24 hours.

MOUNTING

- EZ-snap mounting canopy included for top or end mount.
- Universal knockout pattern on back plate for wall mount.

HOUSING

- Injection-molded, engineering grade, 5VA flame retardant, high-impact resistant, thermoplastic in white or black finish.
- EZ snap-out Chevron directional indicators.

OPTIONS

- SDT: Self-diagnostic feature performs monthly, biannual, and annual tests to ensure reliable operation and meets electrical and life safety codes.
- HTR: Optional internal heater for cold temperature (-9°C – 50°C) applications.

ORDERING INFORMATION

Model Number: LLEZXTEU-RC

Enter the product specs above.

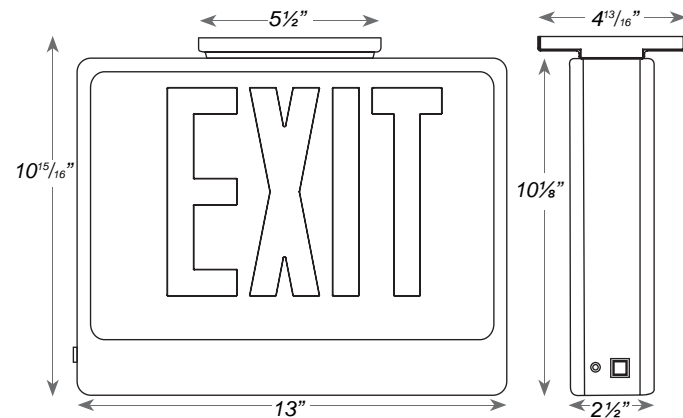
MODEL	No. of FACES	LETTER COLOR	HOUSING COLOR	BATTERY		OPTIONS
LLEZXTEU-RC	2 Universal Single/Double Face	R Red G Green	W White B Black	EM Battery Backup	RC Remote Capable SDT Standard (11 Watts)	Self-Diagnostics <i>Note: Fixtures with this option are not compatible with Remote Heads. SDT version of the LLEZXTEU-RC is not able to use remote heads</i>
					HTR	Internal Heater



WARRANTY / LISTING

- Five year warranty on all electronics and housing. Battery prorated for two years.
- Meets UL924, NFPA 101 Life Safety Code, NEC, OSHA, Local and State Codes.
- Meets CSA C22.2 No. 141-02 requirements for unit equipment.
- UL Listed for damp locations (20°C – 50°C).
- Certified to CEC under Title 20 Regulations.

DIMENSIONS



Job Name: _____

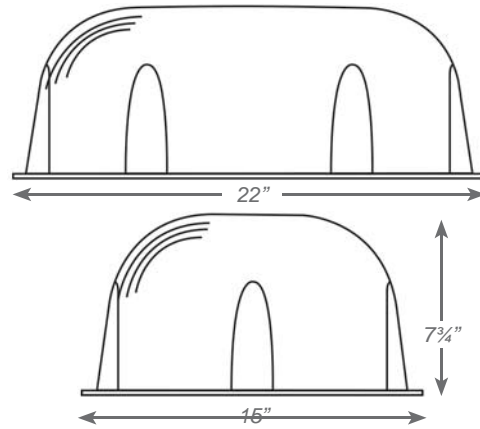
Type: _____

Part #: _____

Notes: _____

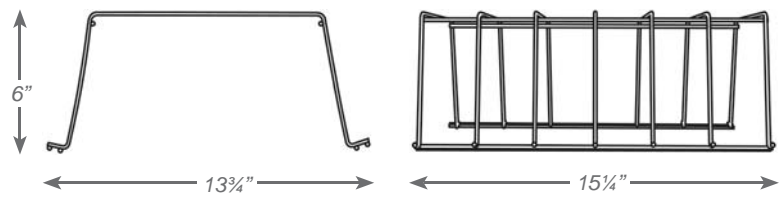
BG-1 Vandal Shield:

- High-impact resistant polycarbonate material.
- Mounting hardware provided for easy installation in the field.



WG-1 Wire Guard:

- Durable 9-gauge steel construction.
- Mounting hardware provided for easy field installation.



Job Name: _____

Type: _____

Part #: _____

Notes: _____

RHLED

LED OUTDOOR POLYCARBONATE/DIE-CAST REMOTE HEAD



ILLUMINATION

- Long lasting, efficient, ultra bright white LED lamp heads.
- 1.0 watt (8 LEDs x 0.125 watt) per head.
High performance chrome-plated metalized reflector and plastic lens for optimal light distribution.
- Adjustable LED lamp heads provide optimal center-to-center spacing.
- Optional high lumen heads are 1.5 watts (12 LEDsX center-to-center spacing).

ELECTRICAL

- Powered from low voltage power source with low voltage wiring (not provided).

MOUNTING

- Universal mounting adapter plate included. Mounts to single-gang switch box.
- Distance of maximum run is determined by system voltage, wire gauge and total maximum wattage on the run.
- Suitable for wall or ceiling mount.

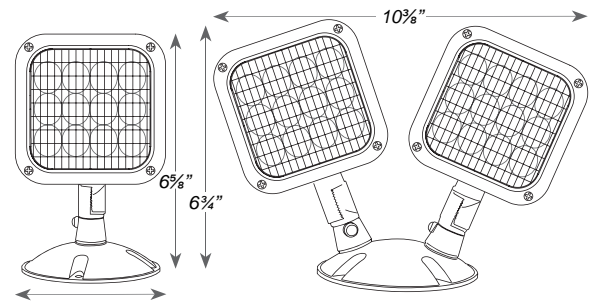
HOUSING

- Available in both engineering grade, high-impact resistant polycarbonate or premium grade die-cast aluminum housing.
- Sealed and gasketed in standard gray or black finish.

WARRANTY / LISTING

- Five year warranty.
- UL Listed with approved products.
- Meets UL924, NFPA 101 Life Safety Code, NEC, OSHA, Local and State Codes.

DIMENSIONS



ORDERING INFORMATION

LLEZXTEU-RC has 11.0 watts of remote capacity, choose remote heads accordingly

MODEL	No. of HEADS		OPTIONS		HOUSING		VOLTAGE		COLOR		LAMP TYPE [†]	
RHLED	1	Single Head	(blank)	For Standard Non-Self-Diagnostic Fixtures	PWP	Polycarbonate	MV	For Use With 3.6V, 6V, 9.6V & 12V DC Power Source	(blank)	Black	(blank)	8 LEDs 1W
	2	Double Head			WP	Die-Cast			HL		12 LEDs 1.5W	

Job Name: _____

Type: _____

Part #: _____

Notes: _____

RHLED

LED INDOOR THERMOPLASTIC REMOTE HEAD

ILLUMINATION

- Long lasting, efficient, ultra bright white LED lamp heads.
- 1.0 watt (8 LEDs x 0.125 watt) per head.
- High performance chrome-plated metalized reflector and plastic lens for optimal light distribution.
- Adjustable LED lamp heads provide optimal center-to-center spacing.
- Optional high lumen heads are 1.5 watts (12 LEDs x 0.125 watt per head) and provide increased center-to-center spacing.

ELECTRICAL

- Powered from low voltage power source with low voltage wiring (not provided).

MOUNTING

- Universal mounting adapter plate included. Mounts to single-gang switch box.
- Distance of maximum run is determined by system voltage, wire gauge and total maximum wattage on the run.
- Suitable for wall or ceiling mount.

HOUSING

- Injection-molded, engineering grade, 5VA flame retardant, high-impact resistant, thermoplastic in white or black finish.

WARRANTY / LISTING

- Five year warranty.
- UL Listed with approved products.
- Meets UL924, NFPA 101 Life Safety Code, NEC, OSHA, Local and State Codes.

ORDERING INFORMATION

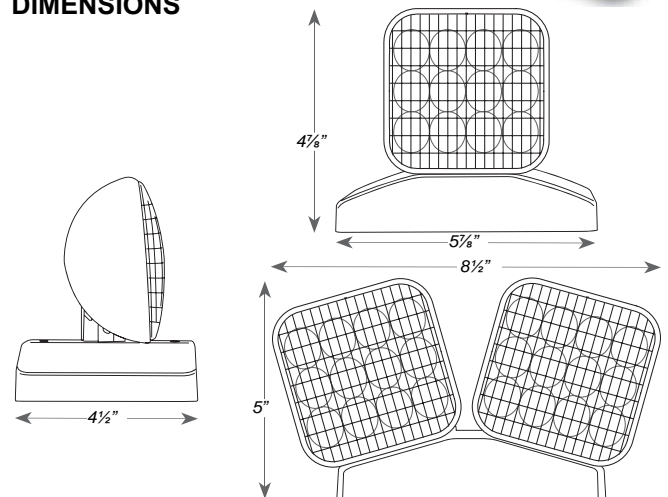
LLEZXTEU-RC has 11.0 watts of remote capacity, choose remote heads accordingly

MODEL	No. of HEADS		OPTIONS		VOLTAGE		COLOR		LAMP TYPE ¹	
RHLED	1	Single Head	(blank)	For Standard Non-Self-Diagnostic Fixtures	MV	For Use With 3.6V, 6V, 9.6V & 12V DC Power Source	(blank)	Black	(blank)	8 LEDs 1W
	2	Double Head					HL		12 LEDs 1.5W	

¹ Wattage rating stated per head.



DIMENSIONS



Sample Part Number: **RHLED1-MV**