

LLWCYL-4D

4" Round Wet Location Cylinder in Ceiling or Pendant Mount.

Construction: Powder Coated Aluminums
Finishes: White (WH), Black (BLK) and Silver (SLV)

Light Source:

13W: 120V/13W/1, 190lm Beam Angle 42°

17W: 120~277V/17W/1, 415lm Beam Angle 42.5°

27W: 120~277V/27W/2, 110lm Beam Angle 49°

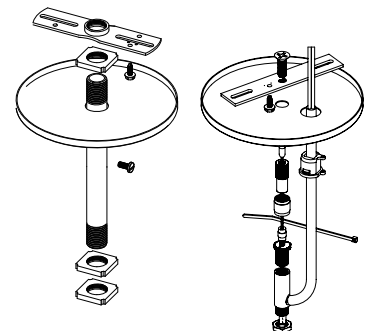
- Available in 80 or 90 CRI
- Select from 30K, 35K or 40K
- TRIAC/ELV: 120V
- 010V: 120/277V (13W with 120V Only)
- Dimming down to 5% with most Triac and ELV dimmers or 0-10V dimmingEM: Battery Backup: 9W/800lms (approx.), 90 minutes after full charge.

Mounting:

- Mount directly on a ceiling J-box.
- Ceiling mount model consists of a canopy kit and a 3" threaded nipple
- Pendant options include rigid stem, stem with swivel, and cable/cord

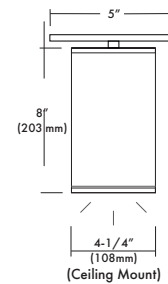
Notes/Certifications/Warranty:

- Operating Temperature -22° F to 104° F (-30°C to 40°C).
- Buy American Act Compliant
- cCSA-us Listed for Wet Locations
- IP65 Rated.
- 3 Year Limited Warranty on LED and Housing

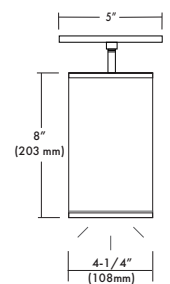


(Standard Pendant)

(Pendant Cable and Cord)



(Ceiling Mount)



(Pendant Mount)

Ceiling Mount Ordering Information:

PART#	WATTS	COLOR TEMP	CRI	DIMMING	FINISH	OPTIONS
LLWCYL-4D-C	13W 17W 27W	30K 35K 40K	8 9	TRIAC/ELV: 120V 010V: 120/277V (13W with 120V Only)	WHT BLK SLV	EM: Emergency Driver

As of 11/2023 the 010v dimming module has been upgraded to work with all 010V dimming systems, including Electronic Relay Dimming Systems

Pendant Mount Ordering Information:

PART#	PENDANT STYLE	STEM <small>For Swivel or Ridged Style</small>	CABLE & CORD LENGTH	WATTS	COLOR TEMP	CRI	DIMMING	FINISH	OPTIONS
LLWCYL-4D-P	R: Rigid Stem <i>(Select Stem Length)</i> S: Swivel Mount <i>(Select Stem Length)</i> C: Cord & Cable <i>(Select Cable and Cord Length)</i>	6" 12" 18" 24" 36" 48"	C12: 12" C24: 24" C36: 36" C50: 50" C72: 72" C120: 120"	13W 17W 27W	30K 35K 40K	8 9	TRIAC/ELV: 120V 010V: 120/277V (13W with 120V Only)	WH BLK SLV	EM: Emergency Driver

As of 11/2023 the 010v dimming module has been upgraded to work with all 010V dimming systems, including Electronic Relay Dimming Systems

Approved Dimmers

- * Lutron: Skylark S-600
: MRF2-6DN-120
: MACL-153M
: DVLV-600P
: SELV-300P
: CTCL-153P
: DVELV-303P
: DVCL-153P
- * Leviton: D600R, Acenti: Ate06,
Trimatron #705W
- * Cooper Devine incandescent dimmer 600W
- * Pass&seymour harmony incandescent 600W

For 0-10V Driver**

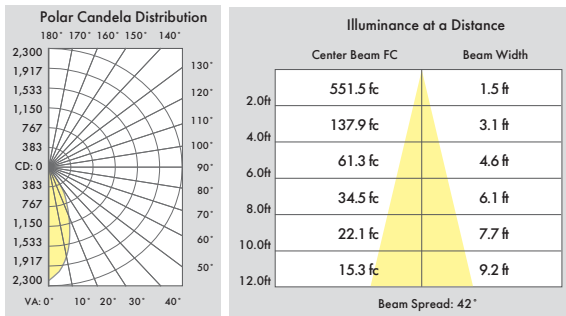
- * Lutron: Nova 0-10V : NTFTV
Diva 0-10V : DVTV
- * Leviton: Decora 0-10V : IP710DL

*Consult tech. service or factory for additional dimmers
**Consult with factory if you are not using the approved dimmers

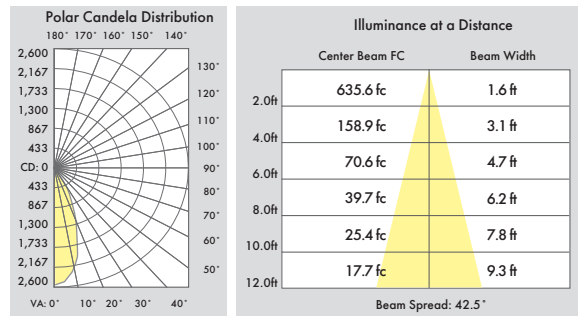
**** WARNING: DO NOT USE 0-10V Electronic Relay Systems like Acuity nFP16 EFP or Creston GLXP-DIMFLV-LP units. DO NOT Combine other types of fixtures on the same 0-10V dimmer/module, especially on WATTSTOPPER device.**

PHOTOMETRIC REPORT

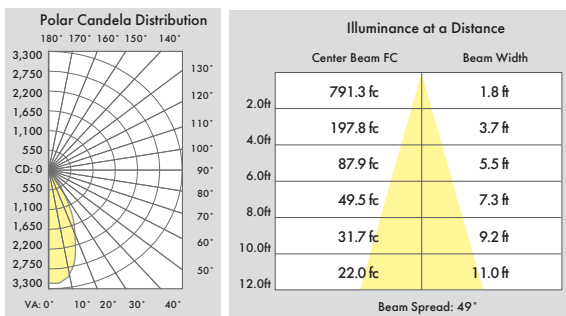
* Contact Factory for IES File



LLWCYL-4D-C/P-13-8-30



LLWCYL-4D-C/P-17-8-30



LLWCYL-4D-C/P-27-8-30