

LLWCYL-4SQ

4" Square Wet Location Cylinder in Ceiling or Pendant Mount.

Construction: Powder Coated Aluminum
Finishes: White (WH), Black (BLK) and Silver (SLV)

Light Source:

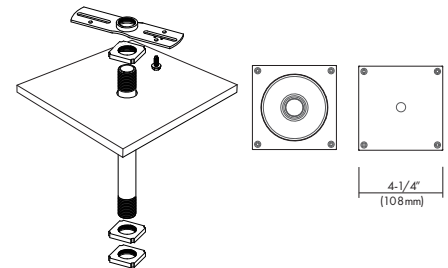
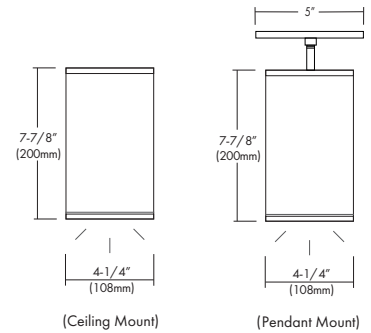
- 13W:** 120V/13W/1,190lm Beam Angle 42°
- 17W:** 120~277V/17W/1,415lm Beam Angle 42.5°
- 27W:** 120~277V/27W/2,110lm Beam Angle 49°
- Available in 80 or 90 CRI
- Select from 30K, 35K or 40K
- TRIAC/ELV: 120V
- 010V: 120/277V (13W with 120V Only)
- Dimming down to 5% with most Triac and ELV dimmers or 0-10V dimming.
- EM: Battery Backup: 9W/800lms (approx.), 90 minutes after full charge.

Mounting:

- Mount completely assembled fixture directly on a ceiling J-box.

Notes/Certifications/Warranty:

- Operating Temperature -22° F to 104° F (-30°C to 40°C).
- Buy American Act Compliant
- cCSA-us Listed for Wet Locations
- IP65 Rated.
- 3 Year Limited Warranty on LED and Housing



Ceiling Mount Ordering Information:

PART#	WATTS	COLOR TEMP	CRI	DIMMING	FINISH	OPTIONS
LLWCYL-4SQ-C	13W 17W 27W	30K 35K 40K	8 9	TRIAC/ELV: 120V 010V: 120/277V (13W with 120V Only)	WHT BLK SLV	EM: Emergency Driver

As of 11/2023 the 010v dimming module has been upgraded to work with all 010V dimming systems, including Electronic Relay Dimming Systems

Pendant Mount Ordering Information:

PART#	PENDANT STYLE	STEM <small>For Swivel or Ridged Style</small>	CABLE & CORD LENGTH	WATTS	COLOR TEMP	CRI	DIMMING	FINISH	OPTIONS
LLWCYL-4SQ-P	R: Rigid Stem (Select Stem Length) S: Swivel Mount (Select Stem Length) C: Cord & Cable (Select Cable and Cord Length)	6" 12" 18" 24" 36" 48"	C12: 12" C24: 24" C36: 36" C50: 50" C72: 72" C120: 120"	13W 17W 27W	30K 35K 40K	9 8	TRIAC/ELV: 120V 010V: 120/277V (13W with 120V Only)	WH BLK SLV	EM: Emergency Driver

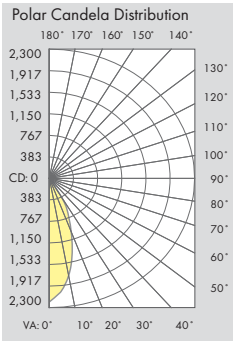
As of 11/2023 the 010v dimming module has been upgraded to work with all 010V dimming systems, including Electronic Relay Dimming Systems

OPTIONS



P Photocell for Dawn to Dawn operation. Outdoor use ONLY.

PHOTOMETRIC REPORT

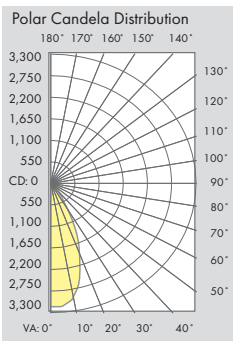


LLWCYL-4SQ-C/P-13-8-30

ILLUMINANCE AT A DISTANCE

Center Beam FC	Beam Width
5515fc	1.5ft
1379fc	3.1ft
613fc	4.6ft
345fc	6.1ft
221fc	7.7ft
153fc	9.2ft

Beam Spread: 42°

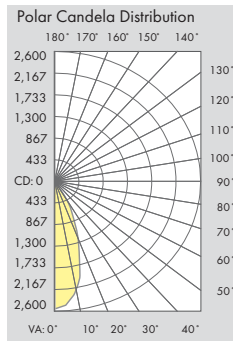


LLWCYL-4SQ-C/P-27-8-30

ILLUMINANCE AT A DISTANCE

Center Beam FC	Beam Width
7913fc	1.8ft
1978fc	3.7ft
879fc	5.5ft
495fc	7.3ft
317fc	9.2ft
220fc	11.0ft

Beam Spread: 49°



LLWCYL-4SQ-C/P-17-8-30

ILLUMINANCE AT A DISTANCE

Center Beam FC	Beam Width
6356fc	1.6ft
1589fc	3.1ft
706fc	4.7ft
397fc	6.2ft
254fc	7.8ft
177fc	9.3ft

Beam Spread: 42.5°

Approved Dimmers

- * Lutron: Skylark S-600 : MRF2-6DN-120 : MACL-153M : DVLV-600P : SELV-300P : CTCL-153P : DVELV-303P : DVCL-153P
- * Leviton: D600R, Acenti: Ate06, Trimatron #705W
- * Cooper Devine incandescent dimmer 600W
- * Pass&seymour harmony incandescent 600W For 0-10V Driver**
- * Lutron: Nova 0-10V : NTFTV Diva 0-10V : DVTV
- * Leviton: Decora 0-10V : IP710DL

* Consult tech. service or factory for additional dimmers
 ** Consult with factory if you are not using the approved dimmers
 ** WARNING: DO NOT USE 0-10V Electronic Relay Systems like Acuity MP16 EFP or Creston GLXP-DIMFLV8-LP units with Lum-Tech Dab fixtures. If you want to use a 0-10V Electronic Relay System DO NOT Combine other types of fixtures on the same 0-10V dimmer/module, especially on WATSTOPPER device.