

## LLWPC12Q and LLWPC12Q-AM

LLWPC12Q is available in two wattages and two optical distributions.  
 LLWPC12Q-AM is an amber LED model. Adding the optional baffle makes the Amber LED certified as Turtle Safe

### Specifications and Features:

#### Housing:

Die Cast Hinged and Gasketed Aluminum Front Frame and Housing with ½" Coin Plugs. Nickel-Plated Stainless Steel Hardware. Photocell Adaptable.

**Dimensions:** 8.75"W x 9.5"E x 8.625"H

#### Finish:

Textured Architectural Bronze Powdercoat Finish Over a Chromate Conversion Coating. Custom Colors Available Upon Request.

#### Lens:

Tempered Clear Flat Glass Lens

#### Mounting Options:

Cast-in Template for Mounting Directly Over a 4" Recessed Outlet Box, or Use ½" Surface Conduit.

#### EasyLED LED:

Aluminum Boards

#### Wattage:

Array: 15w, System: 15.8w; (150w HID Equivalent)

Array: 21.7w, System: 23.7w; (175w HID Equivalent)

**LLWPC12Q-AM:** Array: 22w, System: 24.8w; (175w HID Equivalent)

#### Driver:

Electronic Driver, 120-277V, 50/60Hz or 347-480V, 50/60Hz; Less Than 20% THD and PF>0.90. Standard Internal Surge Protection 2kV. 0-10V Dimming Standard for a Dimming Range of 100% to 10%; Dimming Source Current is 150 Microamps.

#### Controls:

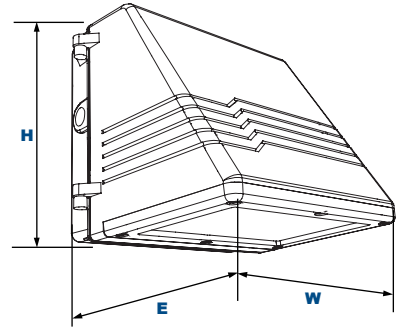
Fixtures Ordered with Factory-Installed Photocell or Motion Sensor Controls are Internally Wired for Switching and/or 1-10V Dimming Within the Housing. Remote Direct Wired Interface of 1-10V Dimming is Not Implied and May Not Be Available, Please Consult Factory. Fixtures are Tested with LEPCG Controls and May Not Function Properly With Controls Supplied By Others. Fixtures are NOT Designed for Use with Line Voltage Dimmers.

#### Notes/Certification/Warranty

Buy American Act Compliant

CSA: Listed for Wet Locations, ANSI/UL 1598, 8750; IP65 Sealed LED Compartment.

5-Year Warranty for -40°C to +40°C Environment.



| Model #     | Optics                 | Wattage    | Driver                   | CCT        | Lens                    | Color  | Options   |
|-------------|------------------------|------------|--------------------------|------------|-------------------------|--|---|
| LLWPC12Q    | C=Type III<br>F=Type V | 15W<br>22W | U=120-277V<br>H=347-480V | 40K<br>50K | C=Clear Flat Glass Lens | BRZ= Bronze<br>C=Custom<br>(Consult Factory) | SF=Single Fuse*<br>DF=Double Fuse*<br>SP=Surge Protection<br>PC3=Photocell, 120-277VAC<br>P10=Pencil Photocell, 120VAC<br>P12=Pencil Photocell, 208-277VAC<br>P14=Pencil Photocell, 120-277VAC<br>P20=Swivel Photocell, 120VAC<br>P22=Swivel Photocell, 208-277VAC<br>BU=Battery Backup, 90 Minutes*<br>BUC=Cold Start Battery Backup, -20°C, 90 Minutes*<br>*120-277V Models Only. |
| LLWPC12Q-AM | F=Type V               | 22W        | U=120-277V<br>H=347-480V | AM=Amber   |                         |  |   |

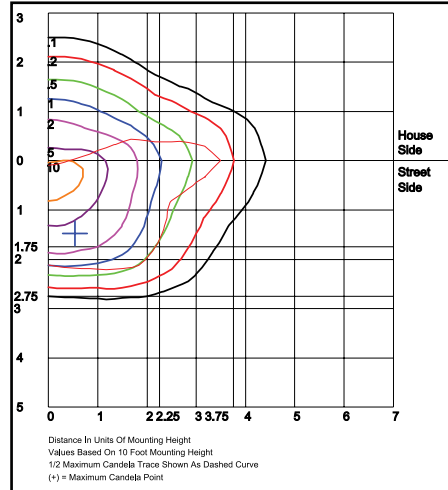
## Accessories & Replacement Parts: LLWPC12Q

### Replacement Parts

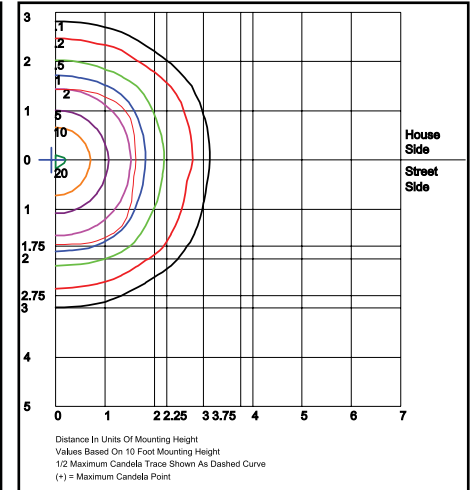
|   |                                    |
|---|------------------------------------|
| WPC12GLC  | Tempered Clear Flat Glass Lens.    |
| P18103  | 120-277VAC Photocell               |
| P18110  | 110-130V, 120VAC Pencil Photocell  |
| P18112  | 208-277V, 240VAC Pencil Photocell  |
| P18114  | 120-277V, 50/60Hz Pencil Photocell |
| P18120  | 110-130V, 120VAC Swivel Photocell  |
| P18122  | 208-277V, 240VAC Swivel Photocell  |
| Contact Lumencia for Replacement Battery Backup |                                    |



### Photometric Data: LLWPC12Q



**LLWPC12QC22U5KC Type III**  
Grid in MH  
MH=10 Feet



**LLWPC12QF22U5KC Type V**  
Grid in MH  
MH=10 Feet

### Photometric Performance: LLWPC12Q

| Wattage (Catalog Logic)       |            | 15W (1X15)       | 22W (1X22) |
|-------------------------------|------------|------------------|------------|
| Input Watts                   |            | 15.8W            | 23.7W      |
| Optic                         | CCT        | Delivered Lumens |            |
| <b>LLWPC12Q -C = Type III</b> | 4000K      | 1,386            | 2,079      |
|                               | 5000K      | 1,444            | 2,166      |
|                               | BUG Rating | B0-U1-G0         | B1-U2-G1   |
| <b>LLWPC12Q -F = Type V</b>   | 4000K      | 1,556            | 2,334      |
|                               | 5000K      | 1,621            | 2,432      |
|                               | BUG Rating | B1-U2-G0         | B1-U2-G0   |

### Projected Lumen Maintenance: LLWPC12Q

| Data shown for 5000 CCT                     |                                      | Compare to MH |            |            |             |                     |
|---|--------------------------------------|---------------|------------|------------|-------------|---------------------|
| TM-21-11                                    | Input Watts                          | Initial       | 25,000 Hrs | 50,000 Hrs | 100,000 Hrs | Calculated LED Life |
| <b>L70 Lumen Maintenance @ 25°C / 77°F</b>  | All wattages up to and including 24w | 1.00          | 0.96       | 0.92       | 0.85        | 196,000             |
| <b>L70 Lumen Maintenance @ 50°C / 122°F</b> |                                      | 1.00          | 0.93       | 0.86       | 0.73        | 110,000             |
| <b>L80 Lumen Maintenance @ 40°C / 104°F</b> |                                      | 1.00          | 0.94       | 0.88       | 0.76        | 84,000              |

#### NOTES:

- Projected per IESNA TM-21-11. Data references the extrapolated performance projections for the 525mA base model in a 25°C ambient, based on 10,000 hours of LED testing per IESNA LM-80-08.
- Compare to MH box indicates suggested Light Loss Factor (LLF) to be used when comparing to Metal Halide (MH) systems.

## Accessories & Replacement Parts for LLWPC12Q-AM

### Accessories: LLWPC12Q-AM (Order Separately, Field Installed)

WPC12BFZ Turtle Safe Baffle, Aluminum with Bronze Powdercoat Finish



WPC12BFZ\*

\*Shown Mounted

### Replacement Parts: LLWPC12Q-AM (Order Separately, Field Installed)

|   |                                    |
|---|------------------------------------|
| WPC12GLC  | Tempered Clear Flat Glass Lens.    |
| P18103  | 120-277VAC Photocell               |
| P18110  | 110-130V, 120VAC Pencil Photocell  |
| P18112  | 208-277V, 240VAC Pencil Photocell  |
| P18114  | 120-277V, 50/60Hz Pencil Photocell |
| P18120  | 110-130V, 120VAC Swivel Photocell  |
| P18122  | 208-277V, 240VAC Swivel Photocell  |
| Contact Lumencia for Replacement Battery Backup |                                    |



P18103



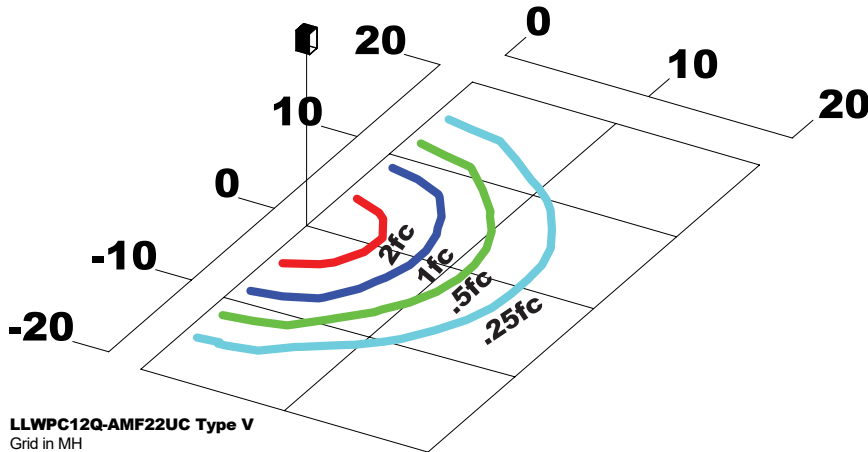
P18110 & P18112



P18114

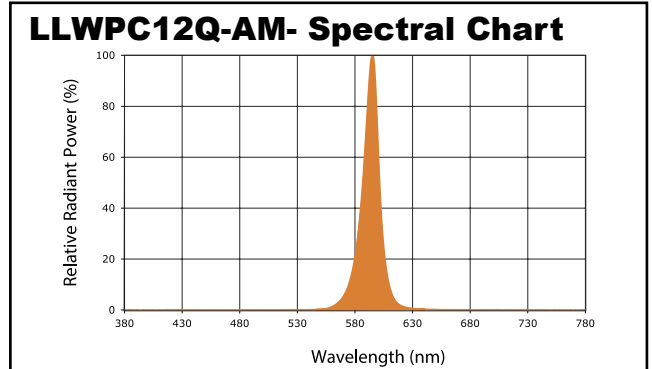


P18120 & P18122



LLWPC12Q-AMF22UC Type V  
Grid in MH  
MH=10 Feet

### Spectral Chart



### Photometric Performance: LLWPC12Q-AM

| LED Board Watts | Drive Current (mA) | Input Watts | Optics | Amber LEDs |     |   |   |   |
|-----------------|--------------------|-------------|--------|------------|-----|---|---|---|
|                 |                    |             |        | Lumens     | LPW | B | U | G |
| LLWPC12Q-AM 22w | 525                | 25          | Type V | 794        | 32  | 0 | 1 | 0 |

### Projected Lumen Maintenance: LLWPC12Q-AM

| Data shown for Amber LEDs            |             | Compare to MH |            |            |             |                     |
|--------------------------------------|-------------|---------------|------------|------------|-------------|---------------------|
| TM-21-11                             | Input Watts | Initial       | 25,000 Hrs | 50,000 Hrs | 100,000 Hrs | Calculated LED Life |
| L70 Lumen Maintenance @ 25°C / 77°F  | 25          | 1.00          | 0.96       | 0.92       | 0.85        | 196,000             |
| L70 Lumen Maintenance @ 50°C / 122°F |             | 1.00          | 0.93       | 0.86       | 0.73        | 110,000             |
| L80 Lumen Maintenance @ 40°C / 104°F |             | 1.00          | 0.94       | 0.88       | 0.76        | 84,000              |

**NOTES:**

1. Projected per IESNA TM-21-11. Data references the extrapolated performance projections for the 525mA base model in a 25°C ambient, based on 10,000 hours of LED testing per IESNA LM-80-08.
2. Compare to MH box indicates suggested Light Loss Factor (LLF) to be used when comparing to Metal Halide (MH) systems.