

## Discontinued 06/2023.

### LLBRK-LED4ICN

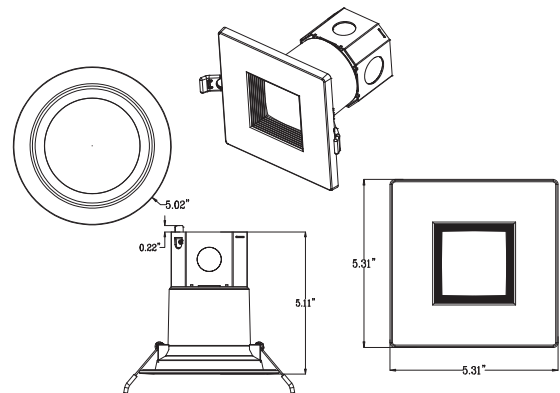
4" Direct Wire Recessed downlight retrofit solution with integrated LED power supply and thermal management system combined in a single compact unit with integrated junction for direct ceiling installation.

**Construction:** Thermoplastic Construction with integral clips

**See Ordering Section for Performance Notes and Energy Star/T24 Certifications.**

**Notes/Certifications/Warranty:**

- 120V
- Power Consumption: 7W
- CRI: 80
- Operating temperature: -20 C- 40C (-4F – 104F)
- No recessed can required
- Minimal tools required for installation.
- Direct wire to attached Junction Box.
- Suitable for use in ICAT, AT, and Non-IC applications.
- Dimming: 10% with most dimmers.
- Tested in accordance with IESNA LM79 & LM80
- ETL Listed for Wet Locations
- Passes FCC Class B
- ROHS Compliant
- Energy Star Qualified
- Five Year warranty



#### ORDERING INFORMATION

PART #	NOTES	ACCESSORIES (Snap in Trimplate)
LLBRK-LED4ICN--7W-27K-ECO	120V/7W/600lms Del@27K/80CRI ESTAR	LLLED4-TRMPLT-ECO-SQ (Square White)
LLBRK-LED4ICN--7W-30K-ECO	120V/7W/600lms Del@30K/80CRI ESTAR	LLLED4A-TRMPLT-ECO-SPWHT (Round White with Silver Baffle)
LLBRK-LED4ICN--7W-35K-ECO	120V/7W/600lms Del@35K/80CRI ESTAR	LLLED4A-TRMPLT-ECO-BK (Round Black)
LLBRK-LED4ICN--7W-40K-ECO	120V/7W/600lms Del@40K/80CRI ESTAR	LLLED4A-TRMPLT-ECO-N (Round Nickel)
LLBRK-LED4ICN--7W-50K-ECO	120V/7W/600lms Del@50K/80CRI ESTAR	LLLED4A-TRMPLT-ECO-BZ (Round Bronze)