

Job Name: \_\_\_\_\_

Type: \_\_\_\_\_

Part #: \_\_\_\_\_

Notes: \_\_\_\_\_

**DISCONTINUED 10/2024**

## LLRMR-16-65/125

MR-16 REMOTE CAPABLE THERMOPLASTIC EMERGENCY UNIT



### ILLUMINATION

- Two fully adjustable ultra bright, 12.0 watt, MR-16 halogen lamp heads standard.
- High performance MR16 halogen lamps with smooth metallized reflector and glass lens for optimal light distribution.

### ELECTRICAL

- Dual 120/277 voltage.
- Charge rate/power "ON" LED indicator light and push-to-test switch for mandated code compliance testing.
- LVD (low voltage disconnect) prevents battery from deep discharge.
- 6V maintenance-free, rechargeable sealed lead acid battery.
- Offers 26W of remote capacity (6V/12V DC output) when using standard 12W halogen lamps and 43W of remote capacity (6V/12V DC output) when using optional 3.3W LED lamps.
- Internal solid-state transfer switch automatically connects the internal battery to lamp heads for minimum 90-minute emergency illumination.
- Fully automatic solid-state, two rate charger initiates battery charging to recharge a discharged battery in 24 hours.

### MOUNTING

- Universal knockout pattern on back plate for wall mount. Snaps into place making internal electrical connections.
- Conduit mount knockout on top of housing and backplate.

### HOUSING

- Injection-molded, engineering grade, 5VA flame retardant, high-impact resistant, thermoplastic in white or black finish.

### ORDERING INFORMATION

Sample Part Number: **LLRMR-16-65**

MODEL	HOUSING COLOR		OPTIONS	
	(blank)	White	LED	3.3W High Lumen White LED Lamps
LLRMR-16-65 (6 Volt)				
LLRMR-16-125 (12 Volt)	B	Black	PLED	5.0W High Lumen White LED Lamps

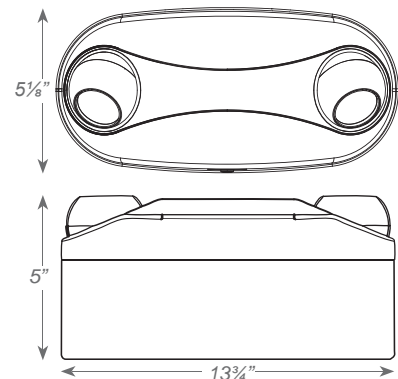
### OPTIONS

- LED: 3.3W high performance MR-16 base LED lamps for increased center-to-center spacing.
- PLED: 5.0W high performance MR-16 base LED lamps for premium center-to-center spacing

### WARRANTY / LISTING

- Five year warranty on all electronics and housing. Battery prorated for two years.
- Meets UL924, NFPA 101 Life Safety Code, NEC, OSHA, Local and State Codes.
- UL Listed for damp locations (20°C – 40°C).

### DIMENSIONS



Job Name: \_\_\_\_\_

Type: \_\_\_\_\_

Part #: \_\_\_\_\_

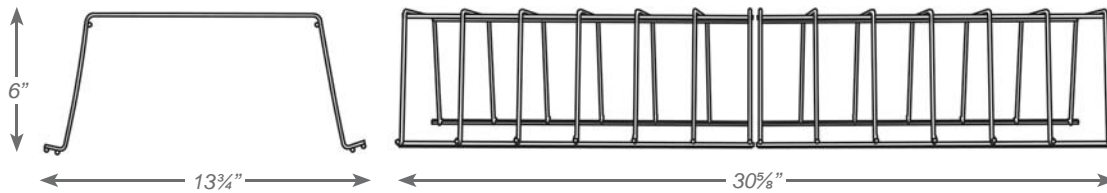
Notes: \_\_\_\_\_

## WIRE GUARDS

### WIRE GUARD

- Durable 9-gauge steel construction.
- Mounting hardware provided for easy field installation.

WG-3

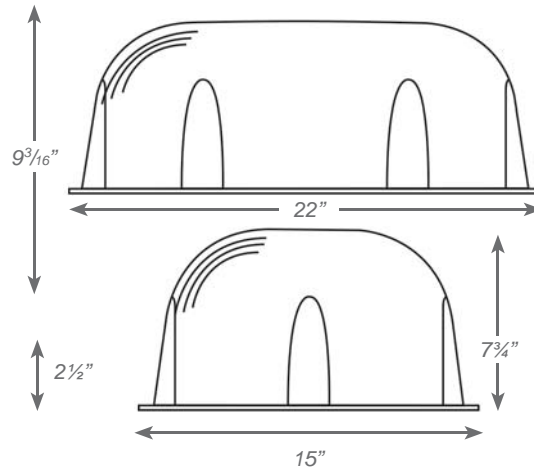


## VANDAL SHIELDS

### HOUSING / MOUNTING

- High-impact resistant polycarbonate material.
- Mounting hardware provided for easy installation in the field.

BG-1



## LED OUTDOOR POLYCARBONATE /DIE-CAST REMOTE HEAD

### ILLUMINATION

- Long lasting, efficient, ultra bright white LED lamp heads.
- 1.0 watt (8 LEDs x 0.125 watt) per head.
- High performance chrome-plated metalized reflector and plastic lens for optimal light distribution.
- Adjustable LED lamp heads provide optimal center-to-center spacing.
- Optional high lumen heads are 1.5 watts (12 LEDs x 0.125 watt per head) and provide increased center-to-center spacing.



### ELECTRICAL

- Powered from low voltage power source with low voltage wiring (not provided).

### MOUNTING

- Universal mounting adapter plate included. Mounts to single-gang switch box.
- Distance of maximum run is determined by system voltage, wire gauge and total maximum wattage on the run.
- Suitable for wall or ceiling mount.

### HOUSING

- Available in both engineering grade, high-impact resistant polycarbonate or premium grade die-cast aluminum housing.
- Sealed and gasketed in standard gray or black finish.

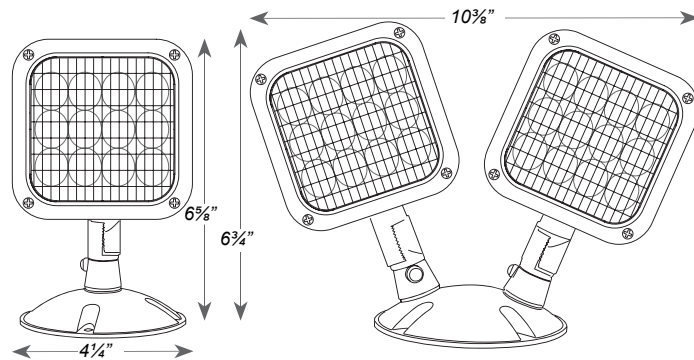
### WARRANTY/LISTING

- Five year warranty.
- UL Listed.
- Meets UL924, NFPA 101 Life Safety Code, NEC, OSHA, Local and State Codes.

### ORDERING INFORMATION

The LLRMR-16-65 offers 26 watts of remote capacity when using halogen lamps and 43 watts when using led lamps. Choose remote heads accordingly

### DIMENSIONS



MODEL	No. of HEADS	OPTIONS		HOUSING		VOLTAGE		COLOR		LAMP TYPE <sup>1</sup>		
RHLED	1	Single Head	(blank)	For Standard Non-Self-Diagnostic Fixtures	PWP	Polycarbonate	MV	For Use With 3.6V, 6V, 9.6V & 12V DC Power Source	(blank)	Gray	(blank)	8 LEDs 1W
	2	Double Head	SDT	For Use With Fixtures With A Self-Diagnostic Option	WP	Die-Cast			B	Black	HL	12 LEDs 1.5W

Job Name: \_\_\_\_\_

Type: \_\_\_\_\_

Part #: \_\_\_\_\_

Notes: \_\_\_\_\_

## LLLEDR-1

### LED INDOOR THERMOPLASTIC REMOTE HEAD

#### ILLUMINATION

- Long lasting, efficient, ultra bright white LED lamp heads.
- 1.0 watt (8 LEDs x 0.125 watt) per head.
- High performance chrome-plated metalized reflector and plastic lens for optimal light distribution.
- Adjustable LED lamp heads provide optimal center-to-center spacing.
- Optional high lumen heads are 1.5 watts (12 LEDs x 0.125 watt per head) and provide increased center-to-center spacing.

#### ELECTRICAL

- Powered from low voltage power source with low voltage wiring (not provided).

#### MOUNTING

- Universal mounting adapter plate included. Mounts to single-gang switch box.
- Distance of maximum run is determined by system voltage, wire gauge and total maximum wattage on the run.
- Suitable for wall or ceiling mount.

#### HOUSING

- Injection-molded, engineering grade, 5VA flame retardant, high-impact resistant, thermoplastic in white or black finish.

#### WARRANTY/LISTING

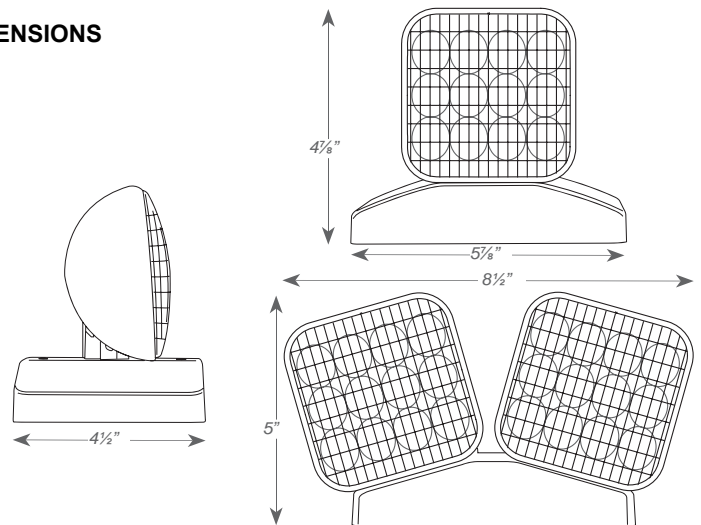
- Five year warranty.
- UL Listed
- Meets UL924, NFPA 101 Life Safety Code, NEC, OSHA, Local and State Codes.

#### ORDERING INFORMATION

The LLRMR-16-65 offers 26 watts of remote capacity when using halogen lamps and 43 watts when using led lamps. Choose remote heads accordingly



#### DIMENSIONS



Reference individual unit equipment specification sheets for remote load capacity availability.

MODEL	No. of HEADS	OPTIONS	VOLTAGE	COLOR	LAMP TYPE <sup>1</sup>
RHLED	1 Single Head	(blank) For Standard	MV For Use With 3.6V, 6V, 9.6V & 12V DC Power Source	(blank) Gray B Black	(blank) 8 LEDs 1W
	2 Double Head	For Non-Self-Diagnostic Fixtures For Use With Fixtures With A Self-Diagnostic Option			HL 12 LEDs 1.5W

<sup>1</sup> Wattage rating stated per head.