

Multi-Unit Residential Lighting

PRODUCT SPECIFICATIONS

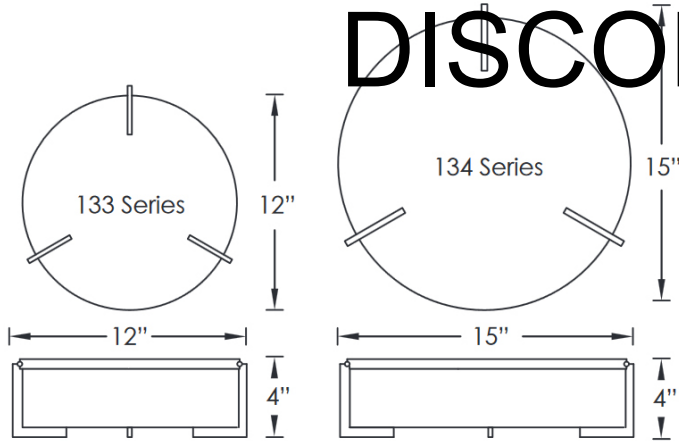
- LL133 = 12.0" Diameter (Medium)
- LL134 = 15.0" Diameter (Large)

Construction:

- Housing: White Enamel Steel Pan
- Trim: Steel Accents
- Lens: UV Stabilized Acrylic (Specify Type)

Notes:

- Certification: Damp Location (Indoor Use Only)
- Mounting: Ceiling Only



Note: B1 & B3 Options make depth 6" for both 133 & 134

DISCONTINUED

Job Name:

Type:



WHITE



CLEAR



Ordering Information:

EXAMPLE = LL133-1-2-6LED-30K

LL _____ - _____ - _____ - _____					STANDARD LED SPECIFICATIONS				
PART #	LENS TYPE	FINISH	LED	OPTIONS	VOLTAGE	INPUT WATTAGE	LUMENS	CRI	DIMMABLE
LL133	1 = White	2 = Brushed Nickel	6LED	30K, 35K, 40K	120V ~ 277V	12W	855	82	Non-Dimmable
LL134	9 = Clear Prismatic	3 = Brushed Rust	12LED	30K, 35K, 40K, B3	120V ~ 277V	14W	1710	82	0-10 Dimmable
		3B = Bronze*	13LED	30K	120V ~ 277V	17W	1278	80	Non-Dimmable
		C = Custom*	13LED-120	30K, 40K	120V	13W	900	80	0-10 Dimmable
			14LED	30K, 35K, 40K, DIM, 277	120V	18W	1100	81	Non-Dimmable
			14LED-120#	30K, 40K	120V	14W	1350	80	0-10 Dimmable
			23LED-120#	30K, 40K	120V	23W	1850	80	0-10 Dimmable
LL134	1 = White 9 = Clear Prismatic	2 = Brushed Nickel	18LED	30K	120V ~ 277V	22W	1704	80	Non-Dimmable
		3 = Brushed Rust	19LED	30K, 35K, 40K	120V ~ 277V	22W	2565	82	0-10 Dimmable
		3B = Bronze*							
		C = Custom*							

Available in Compact Fluorescent Lamping - MOQ will apply

*May result in extended lead times.

#Energy Star Listed



All products are UL and/or ETL Certified.
2017.07

PAGE 1 OF 2

Lumencia Lighting, Inc.
215-512-7000 • Fax 267-288-5604
www.lumencia.com

Four Neshaminy Interplex, Suite 107, Trevose PA 19053

Lumencia reserves the right to change specifications, drawings, dimensions without prior notice.



Job Name:

Type:

Replacement Parts:

LENS-1111 = 133 Series White Translucent Lens
LENS-1119 = 133 Series Clear Prismatic Lens
LENS-1141 = 134 Series White Translucent Lens
LENS-1149 = 134 Series Clear Prismatic Len

Option Legend:

30K = 3000 Kelvin Warm White Light Temperature
35K = 3500 Kelvin Medium White Light Temperature
40K = 4000 Kelvin Cool White Light Temperature
277 = 277 Volt Ballast
B3 = 6W LED Integral Battery Backup
DIM = 120V Dimming Drive



*All products are UL and/or ETL Certified.
2017.07*

PAGE 2 OF 2

Lumencia Lighting, Inc.
215-512-7000 • Fax 267-288-5604
www.lumencia.com

Four Neshaminy Interplex, Suite 107, Treose PA 19053