

## LL4601-BN-LED

LED Edge-Lit Chandelier in Brushed Nickel

**Construction:** Metal

**Shade:** Acrylic

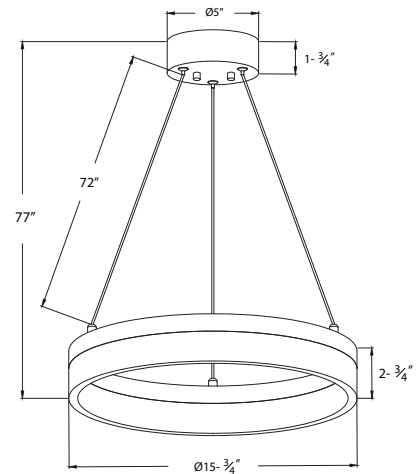
**Dimensions:** Glass: 15.75"OD x 2.75"H

Includes 72.00" of Adjustable Cable for a 6' MAX Hanging Height

**Light Source *Dedicated LED:*** 120V/25W/1750lm/Del@30K>80CRIDimmable

### Notes/Certifications/Warranty

- 120V
- TRIAC Dimming
- cETL Listed for Damp Locations
- Energy Star Rated
- 50K Life Hours
- 5 Year Limited Warranty



### ORDERING INFORMATION

<b>Part #</b>
LL4601-BN-LED