

LLBRK-LED4-ECO & ECO-C

4" Recessed downlight retrofit solution with integrated LED power supply and thermal management system combined in a single compact unit designed to fit most standard 4" recessed cans.

Construction: Thermoplastic Construction with integral clips.

See Ordering Section for Performance Notes and Energy Star/T24 Certifications.

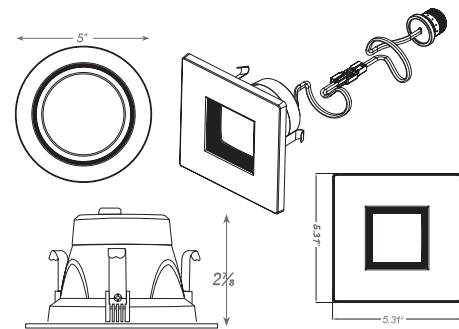
Notes/Certifications/Warranty:

- 120V
- Power Consumption: 8W
- CRI: ECO>80 ECO-C>90
- Operating temperature: -20 C- 40C (-4F – 104F)
- Compatible with most 4" Cans.
- No tools required for installation.
- Quick connect wiring; includes E26 Socket Adapter.
- Suitable for use in ICAT recessed housings.
- Baffle Trim Adapters Available
- Dimming: 10% with most dimmers.
- Tested in accordance with IESNA LM79 & LM80
- ETL Listed for Wet Locations (US & Canada Listed)
- Passes FCC Class B
- Energy Star Qualified
- RoHS Compliant
- ECO-C models meets State of California Title 24 requirements, 2016, JA8
- Five Year warranty

DISCONTINUED - 01/23



DIMENSIONS:



ORDERING INFORMATION

PART #	NOTES	ACCESSORIES (Snap in Trimplate)
LLBRK-LEDE4-BW-27K-ECO	120V/8W/550lms Del@27K/80CRI ESTAR	LLED4-TRMPLT-ECO-SQ (Square White) LLED4A-TRMPLT-ECO-SPWHT (Round White with Silver Baffle) LLED4A-TRMPLT-ECO-BK (Round Black) LLED4A-TRMPLT-ECO-N (Round Nickel) LLED4A-TRMPLT-ECO-BZ (Round Bronze)
LLBRK-LEDE4-BW-30K-ECO	120V/8W/630lms Del@30K/80CRI ESTAR	
LLBRK-LEDE4-BW-35K-ECO	120V/8W/645lms Del@35K/80CRI ESTAR	
LLBRK-LEDE4-BW-40K-ECO	120V/8W/665lms Del@40K/80CRI ESTAR	
LLBRK-LEDE4-BW-50K-ECO	120V/8W/730lms Del@50K/80CRI ESTAR	
LLBRK-LEDE4-BW-27K-ECO-C	120V/8W/550lms Del@27K/90CRI ESTAR &T24	
LLBRK-LEDE4-BW-30K-ECO-C	120V/8W/580lms Del@30K/90CRI ESTAR &T24	
LLBRK-LEDE4-BW-40K-ECO-C	120V/8W/610lms Del@40K/90CRI ESTAR &T24	