

LLBRK-LED4 GIMBAL

Economy 4" Gimbal Recessed downlight retrofit solution with integrated LED power supply and thermal management system combined in a single compact unit designed to fit most standard 4" recessed cans.

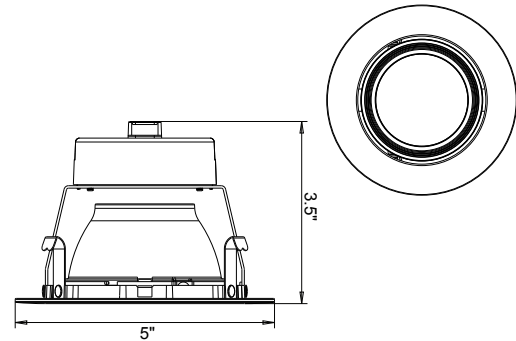
Construction: Thermoplastic Construction with integral clips

See Ordering Section for Performance Notes and Energy Star Certifications.

Notes/Certifications/Warranty:

- 120V
- Power Consumption: 10W
- CRI: 80
- Operating temperature: -20 C- 40C (-4F – 104F)
- Compatible with most 4" Housings.
- No tools required for installation.
- Quick connect wiring; includes E26 Socket Adapter.
- Suitable for use in ICAT, AT, and Non-IC recessed housings.
- Dimming: 10% with most dimmers.
- Tested in accordance with IESNA LM79 & LM80
- ETL Listed for Damp Locations
- Passes FCC Class B
- Energy Star Qualified
- Five Year warranty

DISCONTINUED - 01/23



ORDERING INFORMATION

PART #	NOTES
LLBRK-LED4-GR-27K-ECO	120V/10W/675lms Del@27K/80CRI ESTAR
LLBRK-LED4-GR-30K-ECO	120V/10W//675lms Del@30K/80CRI ESTAR
LLBRK-LED4-GR-40K-ECO	120V/10W//750lms Del@40K/80CRI ESTAR