

DISCONTINUED - 01/23

LLBRK-LED4ICN

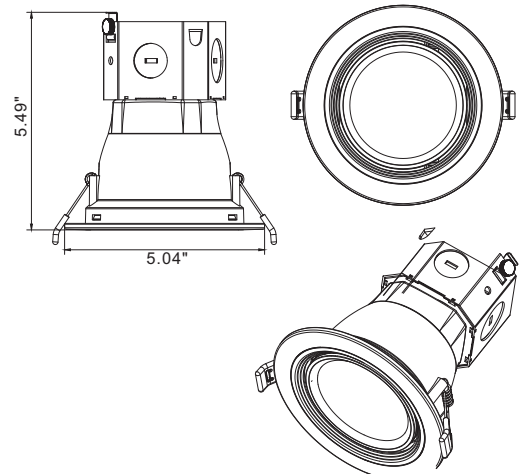
4" Direct Wire Gimbal Recessed downlight retrofit solution with integrated LED power supply and thermal management system combined in a single compact unit with integrated junction for direct ceiling installation.

Construction: Durable thermoplastic construction.

See Ordering Section for Performance Notes and Energy Star/T24 Certifications.

Notes/Certifications/Warranty:

- 120V
- Power Consumption: 8w
- CRI: 80
- No recessed can required - suitable for both new construction and retrofit.
- Direct wire to attached Junction Box.
- Minimal tools required for installation.
- Suitable for use in ICAT, AT, and Non-IC applications
- Dimming: 10% with most dimmers
- Tested in accordance with IESNA LM79 & LM80
- ETL Listed for Damp Locations
- Passes FCC Class B
- ROHS Compliant
- Energy Star Qualified
- Five Year warranty



ORDERING INFORMATION

PART #	NOTES
LLBRK-LED4ICN-GR-8W-27K-ECO	120V/8W/650lms Del@27K/80CRI ESTAR
LLBRK-LED4ICN-GR-8W-30K-ECO	120V/8W/650lms Del@30K/80CRI ESTAR
LLBRK-LED4ICN-GR-8W-35K-ECO	120V/8W/650lms Del@35K/80CRI ESTAR
LLBRK-LED4ICN-GR-8W-40K-ECO	120V/8W/650lms Del@40K/80CRI ESTAR
LLBRK-LED4ICN-GR-8W-50K-ECO	120V/8W/650lms Del@50K/80CRI ESTAR