

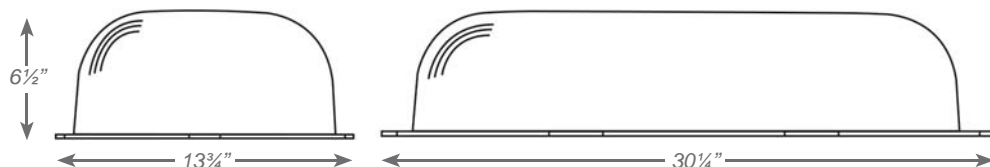
VANDAL SHIELD

HOUSING/MOUNTING

- High-impact resistant polycarbonate material.
- Mounting hardware provided for easy installation in the field.



BG-30

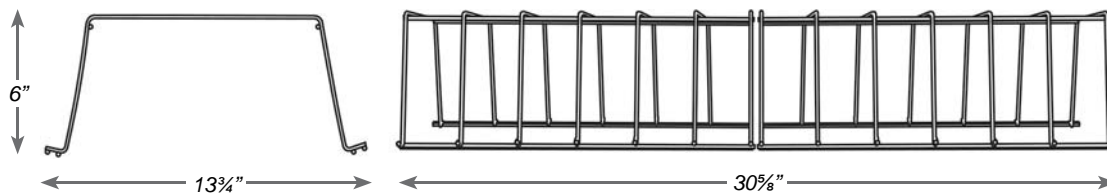


WIRE GUARD

- Durable 9-gauge steel construction.
- Mounting hardware provided for easy field installation.



WG-3



MRHLED

LED MINI INDOOR THERMOPLASTIC REMOTE HEAD

ILLUMINATION

- Adjustable, long lasting, efficient, ultra bright white LED lamp heads.
- One, 0.5 watt white LED per lamp head
- Unique all-inclusive lamp, reflector and lens assembly.

ELECTRICAL

- Powered from low voltage power source with low voltage wiring (not provided).

MOUNTING

- Universal mounting adapter plate included. Mounts to single-gang switch box.
- Distance of maximum run is determined by system voltage, wire gauge and total maximum wattage on the run.
- Suitable for wall or ceiling mount.

HOUSING

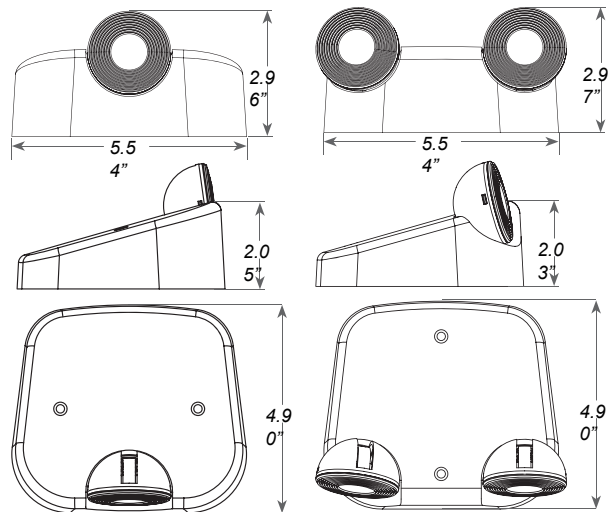
- Injection-molded, engineering grade, 5VA flame retardant, high-impact resistant, thermoplastic in white or black finish.

ORDERING INFORMATION

Note: The LLCTXTEU Combo offers 2.0 watts of remote capacity – choose your remote heads accordingly



DIMENSIONS



WARRANTY/LISTING

- Five year warranty.
- UL Listed
- Meets UL924, NFPA 101 Life Safety Code, NEC, OSHA, Local and State Codes.

MODEL	No. of HEADS		HOUSING COLOR		VOLTAGE	
MRHLED	1	Single Head	(blank	White	3.6V	For Use With 3.6V DC Power Source ¹ Wattage rating stated per head.
	2	Double Head	B	Black		

RHLED

LED INDOOR THERMOPLASTIC REMOTE HEAD

ILLUMINATION

- Long lasting, efficient, ultra bright white LED lamp heads.
- 1.0 watt (8 LEDs x 0.125 watt) per head.
- High performance chrome-plated metalized reflector and plastic lens for optimal light distribution.
- Adjustable LED lamp heads provide optimal center-to-center spacing.
- Optional high lumen heads are 1.5 watts (12 LEDs x 0.125 watt per head) and provide increased center-to-center spacing.

ELECTRICAL

- Powered from low voltage power source with low voltage wiring (not provided).

MOUNTING

- Universal mounting adapter plate included. Mounts to single-gang switch box.
- Distance of maximum run is determined by system voltage, wire gauge and total maximum wattage on the run.
- Suitable for wall or ceiling mount.

WARRANTY/LISTING

- Five year warranty.
- UL Listed
- Meets UL924, NFPA 101 Life Safety Code, NEC, OSHA, Local and State Codes.

ORDERING INFORMATION

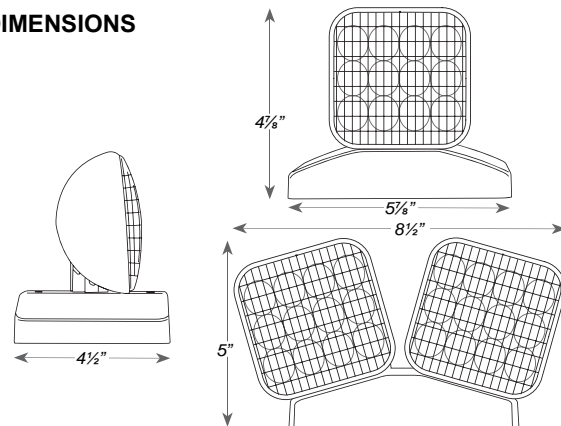
Note: The LLCTXTEU Combo offers 2.0 watts of remote capacity – choose your remote heads accordingly

MODEL	No. of HEADS	OPTIONS		VOLTAGE		COLOR		LAMP TYPE ¹	
RHLED	1	Single Head	(blank)	MV	For Use With 3.6V, 6V, 9.6V & 12V DC Power Source	(blank)	Gray	(blank)	8 LEDs 1W
	2	Double Head	SDT			B	Black	HL	12 LEDs 1.5W

¹ Wattage rating stated per head.



DIMENSIONS



Reference individual unit equipment specification sheets for remote load capacity availability.

HOUSING

- Injection-molded, engineering grade, 5VA flame retardant, high-impact resistant, thermoplastic in white or black finish.

RHLED

LED OUTDOOR POLYCARBONATE /DIE-CAST REMOTE HEAD

ILLUMINATION

- Long lasting, efficient, ultra-bright white LED lamp heads.
- 1.0 watt (8 LEDs x 0.125 watt) per head.
- High performance chrome-plated metalized reflector and plastic lens for optimal light distribution.
- Adjustable LED lamp heads provide optimal center-to-center spacing.
- Optional high lumen heads are 1.5 watts (12 LEDs x 0.125 watt per head) and provide increased center-to-center spacing.

ELECTRICAL

- Powered from low voltage power source with low voltage wiring (not provided).

MOUNTING

- Universal mounting adapter plate included. Mounts to single-gang switch box.
- Distance of maximum run is determined by system voltage, wire gauge and total maximum wattage on the run.
- Suitable for wall or ceiling mount.

WARRANTY/LISTING

- Five year warranty.
- UL Listed
- Meets UL924, NFPA 101 Life Safety Code, NEC, OSHA, Local and State Codes.

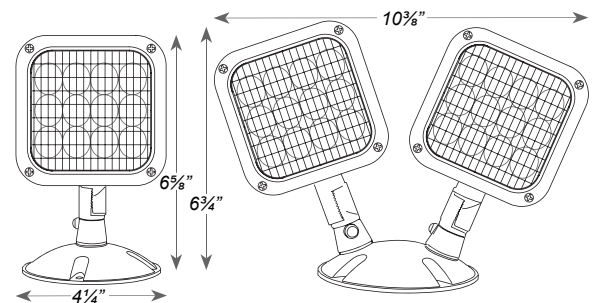
ORDERING INFORMATION

Note – The LLCTXTEU Combo offers 2.0 watts of remote capacity – choose your remote heads accordingly

MODEL	No. of HEADS		OPTIONS		HOUSING		VOLTAGE		COLOR		LAMP TYPE ¹	
RHLED	1	Single Head	(blank)	For Standard Non-Self-Diagnostic Fixtures	PWP	Polycarbonate	MV	For Use With 3.6V, 6V, 9.6V & 12V DC Power Source	(blank)	Gray	(blank)	8 LEDs 1W
	2	Double Head			WP	Die-Cast			B	Black	HL	12 LEDs 1.5W
			SDT	For Use With Fixtures With A Self-Diagnostic Option								



DIMENSIONS



HOUSING

- Available in both engineering grade, high-impact resistant polycarbonate or premium grade die-cast aluminum housing.
- Sealed and gasketed in standard gray or black finish.

¹ Wattage rating stated per head.