

Job Name: _____

Type: _____

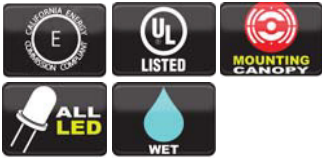
Part #: _____

Notes: _____

LLCWLEZXTEU

WET LOCATION ALL LED EXIT & EMERGENCY POLYCARBONATE COMBO

STANDARD



OPTIONAL



ILLUMINATION

- Long lasting, efficient, ultra bright white LED lamp heads.
- 3.6 watt (3 LEDs x 1.2 watt) per head.
- Adjustable LED lamp heads provide optimal center-to-center spacing.
- Long-life, energy efficient Red or Green LED EXIT sign illumination.

ELECTRICAL

- Dual 120/277V.
- Unique bi-color LED indicator light alerts occupant on battery condition (Green-normal, Red-check battery).
- 6V long life, maintenance free, rechargeable NiCd battery.
- Internal solid-state transfer switch automatically connects the internal battery to LED board and lampheads for minimum 90-minute emergency illumination.
- Fully automatic solid state, two rate charger initiates battery charging to recharge a discharged battery in 24 hours.

HOUSING

- 5VA flame retardant, UV stabilized polycarbonate in white, black or gray finish.
- High-impact resistant, UV stabilized polycarbonate clear lens.
- Corrosion resistant enclosure with engineering grade silicone gasket.
- Knockout's provided for conduit feed applications.
- EZ snap-out Chevron directional indicators.

MOUNTING

- Die-cast aluminum mounting canopy included for top or end mount
- Universal knockout pattern on back plate for wall mount.

ORDERING INFORMATION

Note that LLCWLEZXTEU RC option has 7.2 watts of power and to choose heads accordingly

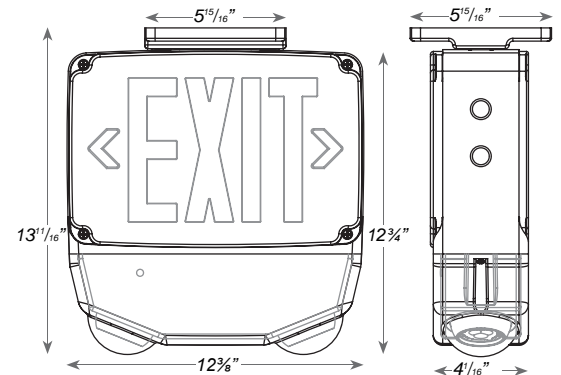
OPTIONS

- RC: Remote capacity of up to 7.2 watts.
- SDT: Self-diagnostic feature performs monthly, biannual, and annual tests to ensure reliable operation and meets electrical and life safety codes.
- TP: Tamper-proof hardware helps discourage unauthorized access to the unit.
- CW: Optional internal heater and battery blanket for extreme cold temperature applications (-20° C – 50° C).
- Custom: Signs available with requested "special" wording

WARRANTY/LISTING

- Five year warranty on all electronics and housing. Battery prorated for five years.
- Meets UL924, NFPA 101 Life Safety Code, NEC, OSHA, Local and State Codes.
- UL listed for wet locations (0°C – 50°C).
- Certified to CEC under Title 20 Regulations.

DIMENSIONS



MODEL	No. of FACES	LETTER COLOR	HOUSING COLOR	OPTIONS
LLCWLEZXTEU	1 Single Face	R Red	W White	RC Remote Capacity CW Cold Weather
	2 Double Face	G Green	B Black	SDT Self-Diagnostics CUSTOM Custom Wording
			G Gray (with white faceplate)	TP Tamper-Proof

ILLUMINATION

- Long lasting, efficient, ultra bright white LED lamp heads.
- 1.0 watt (8 LEDs x 0.125 watt) per head.
- High performance chrome-plated metalized reflector and plastic lens for optimal light distribution.
- Adjustable LED lamp heads provide optimal center-to-center spacing.
- Optional high lumen heads are 1.5 watts (12 LEDs x 0.125 watt per head) and provide increased center-to-center spacing.



MOUNTING

- Universal mounting adapter plate included. Mounts to single-gang switch box.
- Distance of maximum run is determined by system voltage, wire gauge and total maximum wattage on the run.
- Suitable for wall or ceiling mount.

HOUSING

- Available in both engineering grade, high-impact resistant polycarbonate or premium grade die-cast aluminum housing.
- Sealed and gasketed in standard gray or black finish.

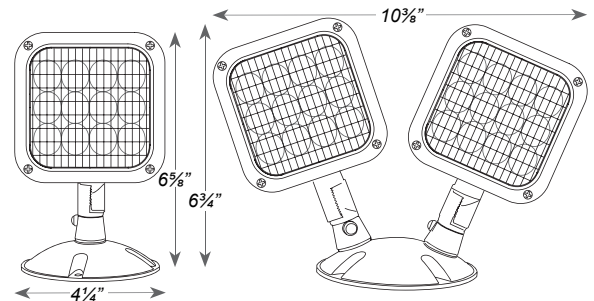
WARRANTY/LISTING

- Five year warranty.
- UL Listed
- Meets UL924, NFPA 101 Life Safety Code, NEC, OSHA, Local and State Codes.

ELECTRICAL

- Powered from low voltage power source with low voltage wiring (not provided).

DIMENSIONS



ORDERING INFORMATION

Note that LLCWLEZXTEU RC option has 7.2 watts of power and to choose heads accordingly

MODEL	No. of HEADS		OPTIONS		HOUSING		VOLTAGE		COLOR		LAMP TYPE ¹	
RHLED	1	Single Head	(blank)	For Standard Non-Self-Diagnostic	PWP	Polycarbonate	MV	For Use With 3.6V, 6V, 9.6V & 12V DC Power Source	(blank)	Gray	(blank)	8 LEDs 1W
	2	Double Head			WP	Die-Cast			B	Black	HL	12 LEDs 1.5W
			SDT	For use with Fixtures With A Self-Diagnostic Option								

¹ Wattage rating stated per head.

HOUSING/MOUNTING

- High-impact resistant polycarbonate material.
- Mounting hardware provided for easy installation in the field.

