

## LLDR-MCT

Double-Ring, Surface Mounted Fixture in Brushed Nickel. Available in 10", 14" and 18".

**Construction:** Steel Housing

**Lens:** Polystyrene lens.

### Dimensions:

- **LLDR-10-MCT:** 10.0"OD x 3.0"E
- **LLDR-14-MCT:** 14.0"OD x 4.0"E
- **LLDR-18-MCT:** 18.0"OD x 4.5"E

### Wattage/Lumen Output:

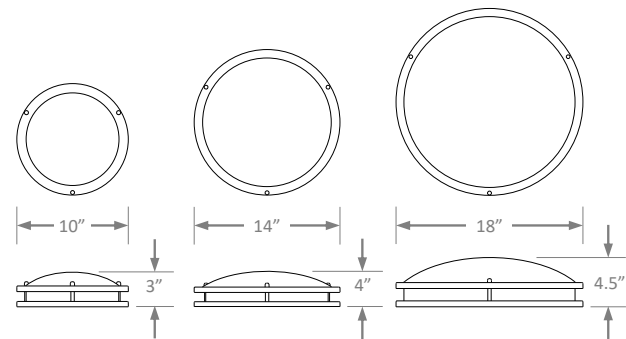
- **LLDR-10-MCT:** 15 Watts/1,000 Lumens
- **LLDR-14-MCT:** 20 Watts/1,800 Lumens
- **LLDR-18-MCT:** 20 Watts/2,000 Lumens
- Voltage: 120V 60Hz
- CRI: 90
- Field Selectable MCT: 27K, 30K, 35K, 40K and 50K
- Long-life LEDs provide at least 70% of initial lumen output (L<sub>70</sub>) for 93,000 hours of operation.\*\*
- TRIAC Dimming: See Chart for Preferred Dimmers

### Notes/Certifications/Warranty:

- Easy installation in new construction or remodel applications.
- This device is not intended for use with emergency exits.
- Suitable for temperatures of -15°C to 40°C (5°F to 104°F).
- cETLus listed for damp locations.
- Energy Star qualified.
- Title 24 qualified.
- Complies with FCC Part 15, class B.
- Input transient protection = 1kV.
- 5-year warranty on all electronics and housing.

\* Contact factory for other color temperatures and lumen packages.

\*\* L<sub>70</sub> hours are IES TM-21-11 calculated hours.



### Preferred Dimmers

**Leviton:** R62-06674-P0W, R12-06672-1LW, R50-IPL06-10M

**Lutron Diva:** DVCL-153PR-WH, CTCL-153PDH-WH, TGCL-153PH-WH, MACL-153MH-WH, P-PKG1W-WH-R

**Eaton:** SAL06P-LA-K

### ORDERING INFORMATION

#### Part #

LLDR-10-MCT  
LLDR-14-MCT  
LLDR-18-MCT