

Job Name: \_\_\_\_\_

Type: \_\_\_\_\_

Part #: \_\_\_\_\_

Notes: \_\_\_\_\_

## LLETXTEU

### THIN THERMOPLASTIC EXIT SIGN

#### STANDARD



#### ILLUMINATION

- Ultra bright, energy efficient, long life Red or Green LEDs.

#### ELECTRICAL

- Dual 120/277 voltage.
- Charge rate/power "ON" LED indicator light and push-to-test switch for mandated code compliance testing.
- 1.2V long life, maintenance-free, rechargeable NiCd battery (EM models only).
- Internal solid-state transfer switch automatically connects the internal battery to LED board for minimum 90-minute emergency illumination.
- Fully automatic solid-state, two rate charger initiates battery charging to recharge a discharged battery in 24 hours.

#### MOUNTING

- EZ-snap mounting canopy included for top or end mount.
- Universal knockout pattern on back plate for wall mount.

#### OPTIONS

- SDT: Self-diagnostic feature performs monthly, biannual, and annual tests to ensure reliable operation and meets electrical and life safety codes.
- 2C: Dual circuit option on the AC-only unit enables it to be connected to two different (one acting as a back-up to the other) supplies at the same time.
- Custom: Signs available with requested 'special' wording.
- USA: Substantial transformation assembly in the U.S. complies with "Assembled in the USA" under the Buy American Act.
- cUL: Units tested to meet requirements of CAN/CSA-c22.2 No. 141-02 standard for unit equipment.

#### ORDERING INFORMATION

Model Number: LLETXTEU

Enter the product specs above.

MODEL	No. of FACES	LETTER COLOR	HOUSING COLOR	BATTERY
LLETXTEU	3	Universal	W White	(blank)
		Single/Double Face	B Black	EM Battery Back
		R Red		
		G		



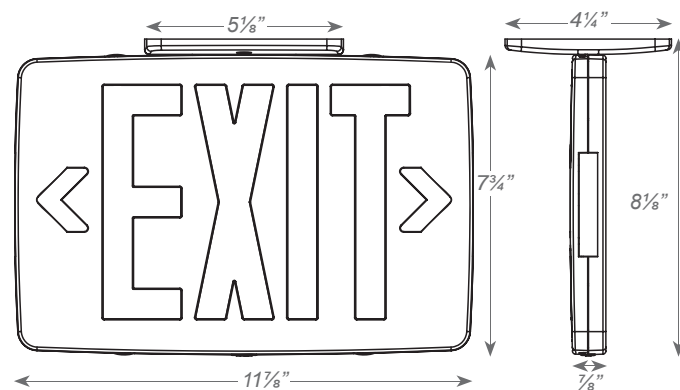
#### HOUSING

- Injection-molded, engineering grade, 5VA flame retardant, high-impact resistant, thermoplastic in white or black finish.
- EZ snap-out Chevron directional indicators.
- Compact, low-profile design.

#### WARRANTY / LISTING

- Five year warranty on all electronics and housing. Battery prorated for five years.
- Meets UL924, NFPA 101 Life Safety Code, NEC, OSHA, Local and State Codes.
- UL Listed for damp locations (0°C – 50°C).
- Certified to CEC under Title 20 Regulations.

#### DIMENSIONS

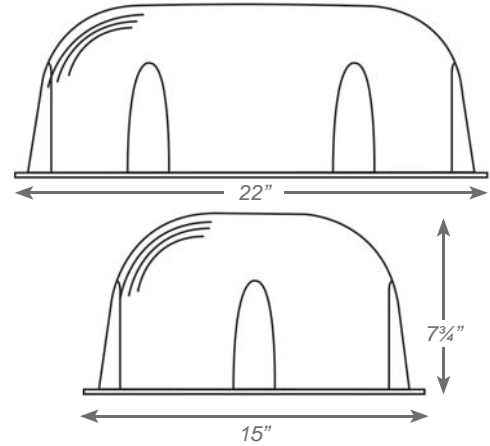


**BG-1 Vandal Shield:**

- High-impact resistant polycarbonate material.
- Mounting hardware provided for easy installation in the field.



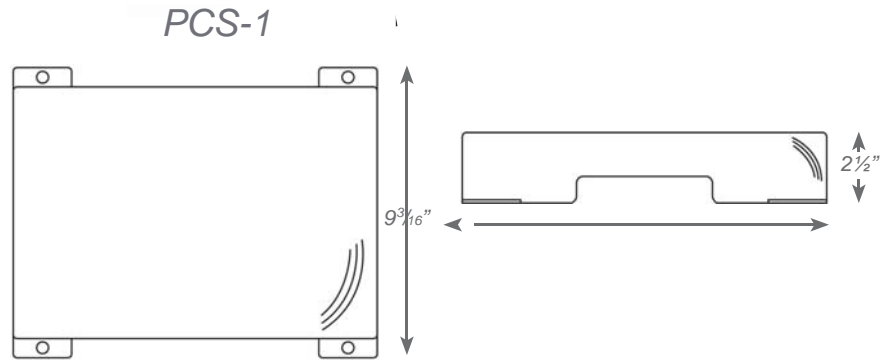
BG-1



**PCS - 1 - Vandal Shield:**



PCS-1



**WG-1 Wire Guard:**

- Durable 9-gauge steel construction.
- Mounting hardware provided for easy field installation.



WG-1

