

THIN THERMOPLASTIC EXIT SIGN

STANDARD



ILLUMINATION

- Ultra bright, energy efficient, long life Red or Green LEDs.

ELECTRICAL

- Dual 120/277 voltage.
- Charge rate/power "ON" LED indicator light and push-to-test switch for mandated code compliance testing.
- 1.2V long life, maintenance-free, rechargeable NiCd battery (EM models only).
- Internal solid-state transfer switch automatically connects the internal battery to LED board for minimum 90-minute emergency illumination.
- Fully automatic solid-state, two rate charger initiates battery charging to recharge a discharged battery in 24 hours.

MOUNTING

- EZ-snap mounting canopy included for top or end mount.
- Universal knockout pattern on back plate for wall mount.

OPTIONS

- SDT: Self-diagnostic feature performs monthly, biannual, and annual tests to ensure reliable operation and meets electrical and life safety codes.
- 2C: Dual circuit option on the AC-only unit enables it to be connected to two different (one acting as a back-up to the other) supplies at the same time.
- Custom: Signs available with requested 'special' wording.
- USA: Substantial transformation assembly in the U.S. complies with "Assembled in the USA" under the Buy American Act.
- cUL: Units tested to meet requirements of CAN/CSA-c22.2 No. 141-02 standard for unit equipment.

ORDERING INFORMATION

ORGHO1XPEHU/(R)

(QWHUWKHSURGXFWVSHFVDERYH

MODEL	No. of FACES	LETTER COLOR	HOUSING COLOR	BATTERY
LLETXTEU	3	Universal Single/Double Face	R Red	(blank)
			G	EM Battery Back
			W White	
			B Black	



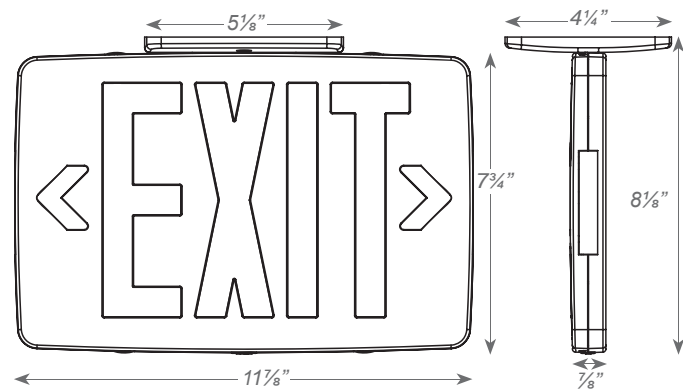
HOUSING

- Injection-molded, engineering grade, 5VA flame retardant, high-impact resistant, thermoplastic in white or black finish.
- EZ snap-out Chevron directional indicators.
- Compact, low-profile design.

WARRANTY / LISTING

- Five year warranty on all electronics and housing. Battery prorated for five years.
- Meets UL924, NFPA 101 Life Safety Code, NEC, OSHA, Local and State Codes.
- UL Listed for damp locations (0°C – 50°C).
- Certified to CEC under Title 20 Regulations.

DIMENSIONS

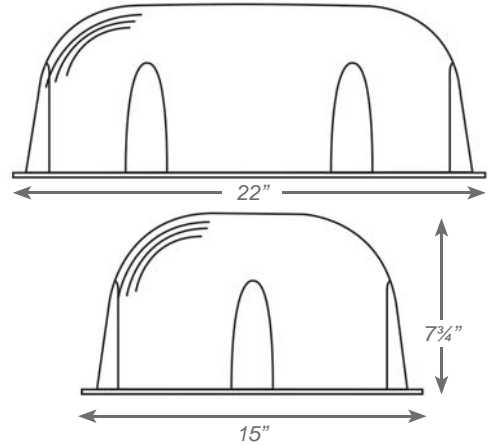


BG-1 Vandal Shield:

- High-impact resistant polycarbonate material.
- Mounting hardware provided for easy installation in the field.



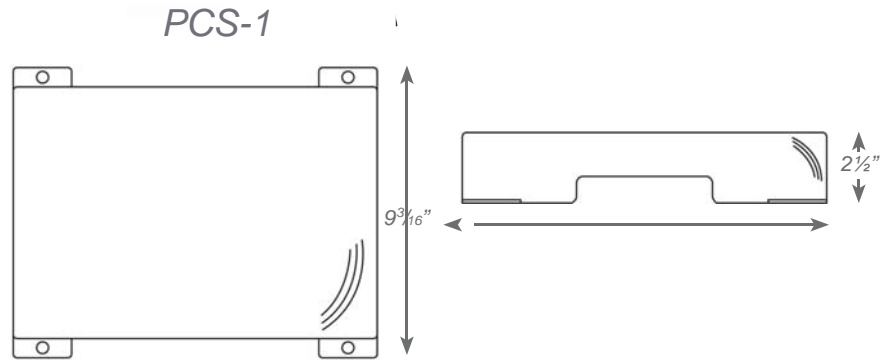
BG-1



PCS - 1 - Vandal Shield:



PCS-1



WG-1 Wire Guard:

- Durable 9-gauge steel construction.
- Mounting hardware provided for easy field installation.



WG-1

