

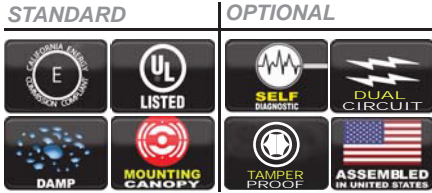
Job Name: \_\_\_\_\_

Type: \_\_\_\_\_

Part #: \_\_\_\_\_

Notes: \_\_\_\_\_

## LLKXTEU DIE-CAST ALUMINUM EXIT SIGN



### ILLUMINATION

- Ultra bright, energy efficient, long life Red or Green LEDs.

### ELECTRICAL

- Dual 120/277 voltage.
- Charge rate/power "ON" LED indicator light and push-to-test switch for mandated code compliance testing.
- 4.8V long life maintenance-free, rechargeable NiCd battery (EM models only).
- Internal solid-state transfer switch automatically connects the internal battery to LED board for minimum 90-minute emergency illumination.
- Fully automatic solid-state, two rate charger initiates battery charging to recharge a discharged battery in 24 hours.

### MOUNTING

- Aluminum mounting canopy included for top or end mount.
- Universal knockout pattern on back plate for wall mount.

### HOUSING

- Premium-grade, die-cast aluminum housing (also available in optional black or white powder-coated finishes).
- Field selectable knockout Chevron directional indicators.
- Unique design allows double face conversion in the field.
- Quick-snap face plate closure.

### WARRANTY / LISTING

- Five year warranty on all electronics and housing. Battery prorated for five years.
- Meets UL924, NFPA 101 Life Safety Code, NEC, OSHA, Local and State Codes.
- UL Listed for damp locations (0°C – 50°C).
- Certified to CEC under Title 20 Regulations.

### ORDERING INFORMATION

Model Number: LLKXTEU

Enter the product specs above.

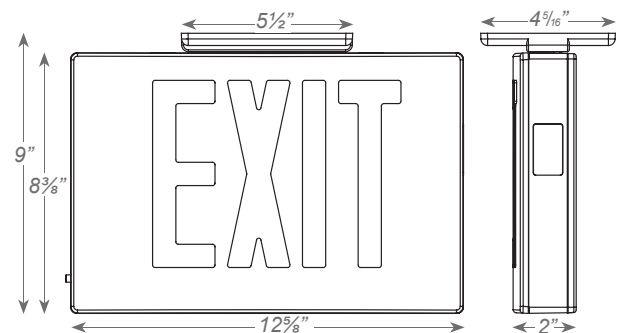
MODEL	No. of FACES	LETTER COLOR	HOUSING COLOR	FACE PANEL	BATTERY	OPTIONS
LLKXTEU	1	Single Face	R Red	W White	(blank)	SDT Self-Diagnostics <sup>1</sup>
	2	Double Face	G Green	B Black	EM Battery Backup	2C Dual Circuit Operation <sup>2</sup>
	3	Universal Single/Double Face		A Aluminum		TP Tamper-Proof USA Assembled In USA



### OPTIONS

- SDT: Self-diagnostic feature performs monthly, biannual, and annual tests to ensure reliable operation and meets electrical and life safety codes.
- 2C: Dual circuit option on the AC-only unit enables it to be connected to two different (one acting as a back-up to the other) supplies at the same time.
- TP: Tamper-proof hardware helps discourage unauthorized access to the unit.
- USA: Substantial transformation assembly in the U.S. complies with "Assembled in the USA" under the Buy American Act.

### DIMENSIONS

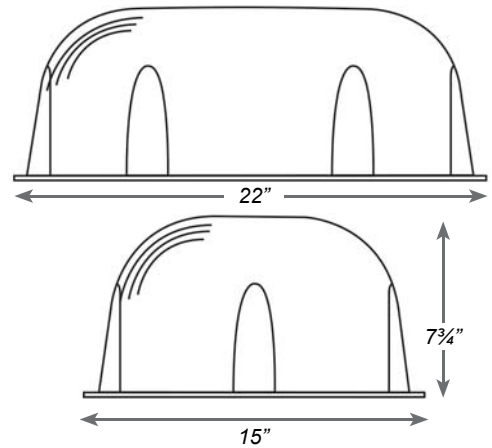


**BG-1 Vandal Shield:**

- High-impact resistant polycarbonate material.
- Mounting hardware provided for easy installation in the field.



**BG-1**

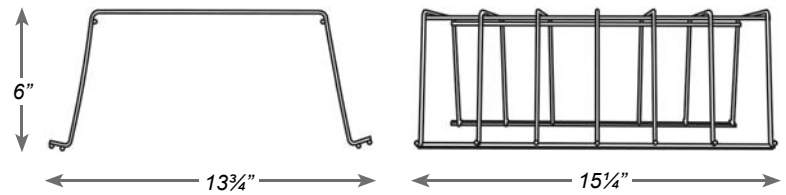


**WG-1 Wire Guard:**

- Durable 9-gauge steel construction.
- Mounting hardware provided for easy field installation.



**WG-1**



**PCS - 1 - Vandal Shields:**



**PCS-1**

**PCS-1**

