

LLLC-3-SMSR

Surface Mount Slip Fit 3" light commercial aluminum posts. Smooth wall style in 8', 10', and 12'. Available in Black, White, and Bronze. Base is independent of post.

Wall Thickness: 0.072 in

Butt Diameter: 3 in

Top Outer Diameter: 2.95 in

Base Diameter: 10 7/8 in

Bolt Circle: 9 in

Bolt Projection: 2.5 in

Bolt Size: 1.68 x 11.81 in

Net Weight: 8'= 6.25lbs, 10'= 7.81lbs, 12'=9.73lbs

Hand Hole: Standard on 10' and 12' poles. 2" x 4" with Cover (hardware, tamper proof screws, & ground wire included).

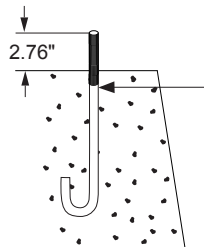
Anchor Bolts:

BOLTS & TEMPLATE INCLUDED
(4 ea.) 1.66" x 11.81" Galvanized Steel Anchor Bolts

AASHTO M314-90 Grade 55
Threaded End Galvanized

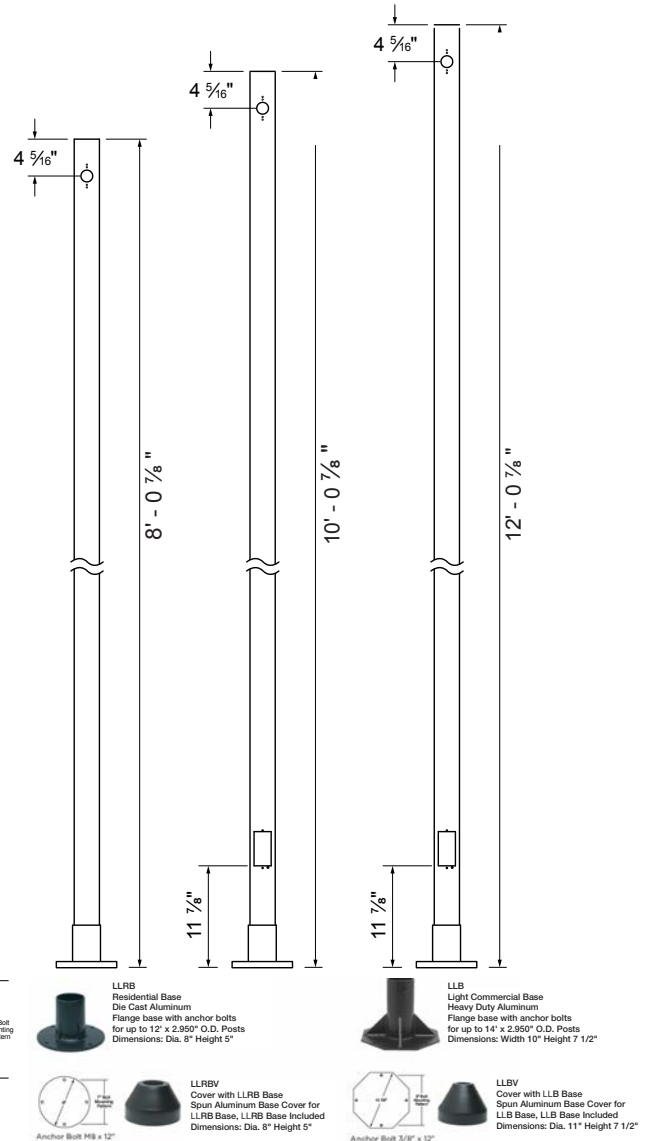
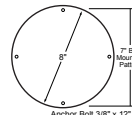
Per ASTM A153 With (4 ea.) Galvanized Steel Leveling Hex Nuts, (4 ea.) Fastening Hex Nuts, and (8 ea.) Washers.

INSTALL IN REINFORCED CONCRETE (BY OTHERS)



.072" Wall Thickness
Straight Aluminum
Tube Wall Alloy
6063-T6

AAMA 2603 Textured
Powder Coat Finish
Black, White, or
Bronze



Ordering Information

Part #	Length	Finish	OPTIONS
LLLC-3-SMSR Smooth Aluminum Extruded Pole	8= 8' Pole 10= 10' Pole 12= 12' Pole	BLK- Black WHT- White BRZ- Bronze	LLRB- Residential Base LLRBV-Cover with LLRV Base LLB- Light Commercial Base LLVB-Cover with LLB Base HH- Hand Hole for 8' Post (Standard on 10 and 12')

Maximum EPA (ft²)

Length	110 MPH	115 MPH	120 MPH	130 MPH	140 MPH	150 MPH	160 MPH	170 MPH	180 MPH
8'	2.50	2.25	2.00	1.50	1.00	0.75	0.50	N/A	N/A
10'	1.50	1.25	1.00	0.75	0.50	0.25	N/A	N/A	N/A
12'	0.75	0.50	0.50	N/A	N/A	N/A	N/A	N/A	N/A