

LLLEDM

UTILITY LIGHT, RETROFIT OR JUNCTION BOX MOUNT

ILLUMINATION

- Long life LEDs with up to 50,000 hours at 70% lumen maintenance
- Choice of 2700K (±145), 3500K (±175), with 80 CRI
- Produces 1200 lumens output from luminaire
- Uses 1.18W high power, high quality LEDs

ELECTRICAL

- Save 75% compared to incandescent sources
- High efficiency driver with a power factor ≥ .90 with input power of 120V, 50-60Hz
- Built-in LED Driver
- Power consumption of 15 watts
- Operation temperature of - 20°C - 40°C (-4 °F- 104°F)

HOUSING

- Compatible with most ceramic and plastic E26 sockets
- Compatible with insulated, non-insulated, and air-tight ceilings
- Durable thermoplastic construction with pull chain
- E26 medium screw-base Edison socket provides easy retrofit of 4" junction box (kit included)

WARRANTY & LISTINGS

- Tested in accordance with IESNA LM79 & LM80
- ETL Listed for wet location.
- Energy Star certified
- Passes FCC Class B
- Meets State of California Title 24 requirement
- Five year warranty on all electronics and housing

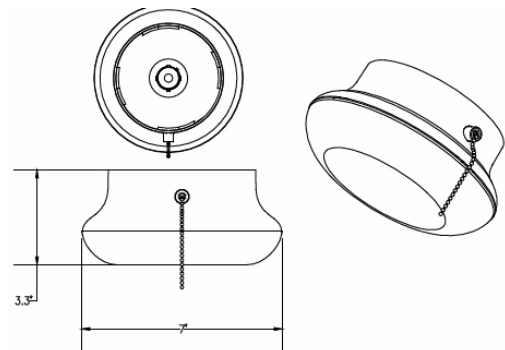


Utility surface retrofit solution with integrated LED power supply and thermal management system combined in a single compact unit designed to fit most standard ceramic or plastic ceiling sockets. Also works on 4" junction box.

MOUNTING

- Easy installation with E26 socket
- Socket included to mount in 4" junction box
- No tools required for installation (for socket mount)

DIMENSIONS



ORDERING INFORMATION

| MODEL | WATTS | KELVIN RATING | LUMENS | |
|----------------|-------|---------------|--------|--|
| LLLEDM-15W-27K | 15 | 27K = 2700K | 1200 | |
| LLLEDM-15W-35K | 15 | 35K = 3500K | 1200 | |