

LLLEDTFX-2

LED WET LOCATION REMOTE CAPABLE POLYCARBONATE EMERGENCY UNIT

STANDARD



OPTIONAL

ILLUMINATION

- Sealed and gasketed weather proof lamp heads with high performance chrome-plated metallized reflector and tempered glass lenses for optimal light distribution.
- Long lasting efficient ultra bright white LED lamp heads.
- 1.875 watt (15 LEDs x 0.125) per head.

ELECTRICAL

- Dual 120/277 voltage.
- Charge rate/power "ON" LED indicator light and push-to-test switch for mandated code compliance testing.
- 9.6V long life, maintenance-free, rechargeable NiCd battery.
- Remote capacity of 3.7 watt standard in operating temperatures of 0° C –50° C.
- Internal solid-state transfer switch automatically connects the internal battery to LED lamp heads for minimum 90-minute emergency illumination.
- Fully automatic solid-state, two rate charger initiates battery charging to recharge a discharged battery in 24 hours.

MOUNTING

- External mounting brackets for simplified surface mounting.
- Knockout for conduit applications.

HOUSING

- Corrosion-resistant 5VA flame retardant UV-stabilized polycarbonate in gray or black finish.
- Sealed and gasketed housing with hinged cover.
- Sealed test switch.

ORDERING INFORMATION

NOTE THAT IT HAS REMOTE CAPACITY OF 3.7 WATTS AND CHOOSE HEADS ACCORDINGLY



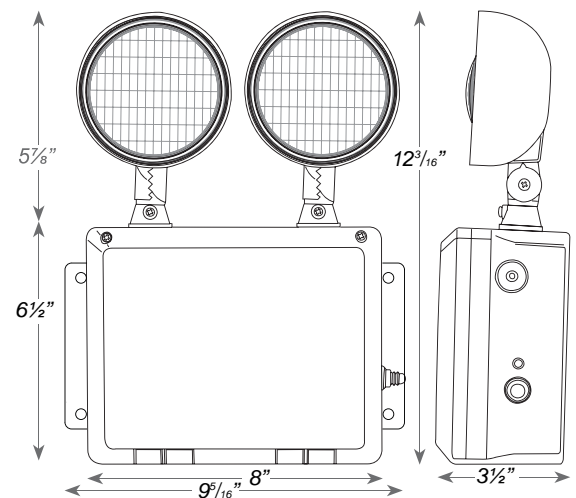
OPTIONS

- CEC: Certified to CEC under Title 20 Regulations.

WARRANTY / LISTING

- Five year warranty on all electronics and housing. Battery prorated for five years.
- Meets UL924, NFPA 101 Life Safety Code, NEC, OSHA, Local and State Codes.
- UL Listed for wet locations (-20 C-50 C).

DIMENSIONS



MODEL	HOUSING COLOR		OPTIONS	
LLLEDTFX-2	(blank)		CEC	Title 20 Compliant
	B	Black		

ILLUMINATION

- Long lasting, efficient, ultra bright white LED lamp heads.
- 1.0 watt (8 LEDs x 0.125 watt) per head.
- High performance chrome-plated metalized reflector and plastic lens for optimal light distribution.
- Adjustable LED lamp heads provide optimal center-to-center spacing.
- Optional high lumen heads are 1.5 watts (12 LEDs x 0.125 watt per head) and provide increased center-to-center spacing.

HOUSING

- Available in both engineering grade, high-impact resistant polycarbonate or premium grade die-cast aluminum housing.
- Sealed and gasketed in standard gray or black finish.

WARRANTY/LISTING

- Five year warranty.
- UL Listed with approved products.
- Meets UL924, NFPA 101 Life Safety Code, NEC, OSHA, Local and State Codes.

ELECTRICAL

- Powered from low voltage power source with low voltage wiring (not provided).

ORDERING INFORMATION

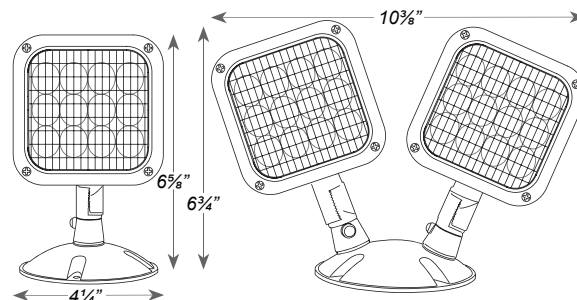
NOTE THAT IT HAS REMOTE CAPACITY OF 3.7 WATTS AND CHOOSE HEADS ACCORDINGLY



MOUNTING

- Universal mounting adapter plate included. Mounts to single-gang switch box.
- Distance of maximum run is determined by system voltage, wire gauge and total maximum wattage on the run.
- Suitable for wall or ceiling mount.

DIMENSIONS

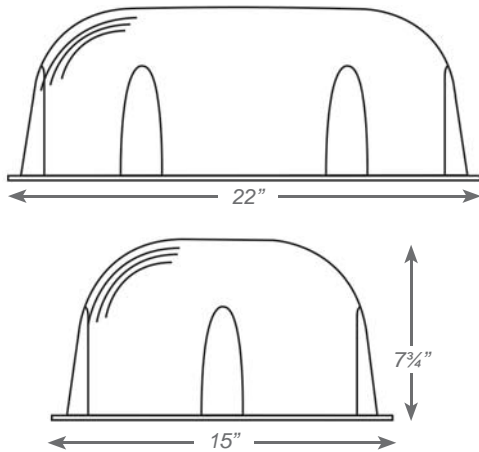


MODEL	No. of HEADS	OPTIONS		HOUSING		VOLTAGE		COLOR		LAMP TYPE ¹		
RHLED	1	Single Head	(blank)	For Standard	PWP	Polycarbonate	MV	For Use With 3.6V, 6V, 9.6V & 12V DC Power Source	(blank)	Gray	(blank)	8 LEDs 1W
	2	Double Head	SDT	Non-Self-Diagnostic Fixtures For Use With Fixtures With A Self-Diagnostic Option	WP	Die-Cast			B	Black	HL	12 LEDs 1.5W

¹ Wattage rating stated per head.

HOUSING/MOUNTING

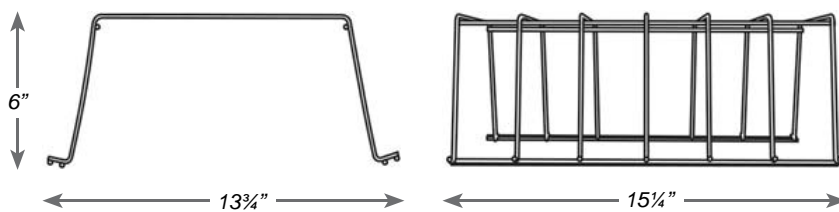
- High-impact resistant polycarbonate material.
- Mounting hardware provided for easy installation in the field.



BG-1

WIRE GUARD

- Durable 9-gauge steel construction.
- Mounting hardware provided for easy field installation.



WG-1