

Job Name: _____

Type: _____

Part #: _____

Notes: _____

DISCONTINUED

LLPHH

LED High Hat Post Top fixture in 3 wattages.

Construction:

- Die cast aluminum in Dark Bronze. Custom Colors Available
- Mounts to 2-3/8" (60mm) diameter pole.
- Prism shaped anti-UV polycarbonate transparent diffuser.
- 11.9lbs (5.3kg)
- EPA: 0.8925 sqft

Performance:

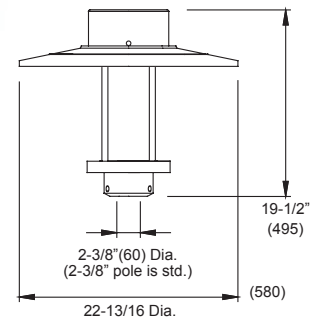
- Input Voltage: 120V-277V, 50/60Hz.
- Choice of 30, 40, or 50 Watt LED
- Power Factor: >0.95
- Color Temperature: 30/40/50(K)
- CRI: >70
- 120° Distribution.
- Ambient Operating Temperature: -4°F (-20°C) ~ 113°F (45°C)

Warranty/Certification

- cETLus listed, Wet Location.
- LM79, LM80 available.
- 5 year warranty.
- L70 >50,000 hours

Controls/Options

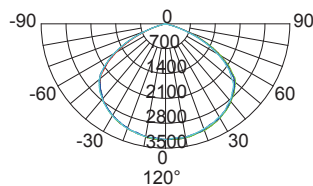
See Ordering Section for Complete List



* All dimensions are in inches (millimeters).

PART #	LED	COLOR TEMP	VOLTAGE	FINISH	CONTROL	OPTIONS
LLPHH	35-35W/3500lm 40-40W/4000lm 50-50W/4500lm	-30K -40K -50K	UNV- 120-277V	DB-Dark Bronze CC-Custom Color <small>* Available custom color (RAL) Please provide us with the RAL number. Non-standard finish with extra charge.</small>	Blank- None DM010V-0-10v ¹ PCUNV- With Photocell-Button Type 120/277V TLPC- Photocell (Twist Lock) MSPC- Motion Sensor, Integrated with a Photocell	BIRD- Bird Guard RC7-NEMA 7- Wire Receptacle Only (No Controls) ARRA- Assembled in USA for Buy American Act

NOTES:
1. Only available with 40W or higher wattage options.



LLPHH-35

Illuminance at a Distance

	Center Beam fc	Beam Width	
1.7R	0.57 fc	2.5 ft	1.2 ft
3.3R	0.15 fc	4.8 ft	2.4 ft
5.0R	0.07 fc	7.3 ft	3.6 ft
6.7R	0.04 fc	9.8 ft	4.8 ft
8.3R	0.02 fc	12.1 ft	5.9 ft
10.0R	0.02 fc	14.6 ft	7.1 ft

■ Vert. Spread: 72.2°
■ Horiz. Spread: 39.3°

LLPHH-50

Illuminance at a Distance

	Center Beam fc	Beam Width	
1.7R	0.74 fc	2.5 ft	1.2 ft
3.3R	0.20 fc	4.8 ft	2.4 ft
5.0R	0.09 fc	7.3 ft	3.6 ft
6.7R	0.05 fc	9.8 ft	4.8 ft
8.3R	0.03 fc	12.1 ft	5.9 ft
10.0R	0.02 fc	14.6 ft	7.1 ft

■ Vert. Spread: 72.2°
■ Horiz. Spread: 39.3°

Optional MSPC- Default Settings	
Detection Sensitivity	100%
Hold Time	90s
Day Light Sensor	Disable or 50lux
Stand by Time	10min
Stand by Dimming Level	10%