



Job Name:
Type:



**LLWCTRD**

**Housing:**

Extruded Round Aluminum Housing with Built-in Heat Sinks, Powdercoat Finish Over a Chromate Conversion Coating.

**Reflector:**

White Reflector

**Lens:**

Tempered Clear Flat Glass Lens

**Mounting:**

Mount Over a 4" Recessed Outlet Box

**Distribution:**

Type VS

**LED:**

QSSI Cool Copper COB

Delivered Lumens:

4,380 (A Optics); 4,347 (B Optics);

3,381 (C Optics); 4,448 (E Optics)

CRI: 80+

CCT: 4100K

Rated Life: 50,000 Hours

5-Year Warranty

**Wattage:**

Total COB: 40w

**Driver:**

Electronic Driver, 120-277V, 50/60Hz or

347/480V, 50/60Hz;

Dimmable Driver

**Listings & Ratings:**

CSA: Listed for Wet Locations

IP67

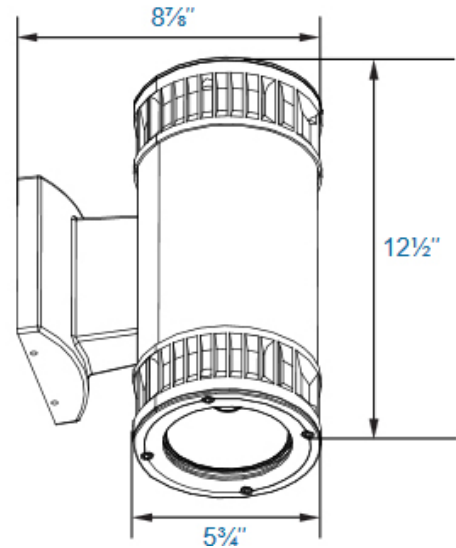
**Options:**

Surge Protection

Battery Backup

Up/Down Turbine LED Wall Cylinder		
Catalog #	Description	
<b>Complete Units</b>		
<b>Ordering Information</b>		
Example: LLWCTRDAC32X20U41KZSP		
<b>LLWCTRD</b>	<b>Model:</b>	WCTRD
<b>A</b>	<b>Optics:</b>	A=70, Medium; B=100, Wide; C=70 Up/100 Down; D=30, Narrow; E=30 Up/100 Down
<b>C3</b>	<b>LED:</b>	C3=QSSI COB
<b>2X</b>	<b>Number of COBs:</b>	2X=Two
<b>20</b>	<b>Wattage:</b>	20=20w
<b>U</b>	<b>Ballast:</b>	U=120-277V, H=347/480V
<b>41K</b>	<b>CCT:</b>	41K=4100K
<b>Z</b>	<b>Color:</b>	Z=Bronze, B=Black
<b>SP</b>	<b>Options:</b>	SF=Single Fuse, DF=Double Fuse, SP=Surge Protection

# DISCONTINUED





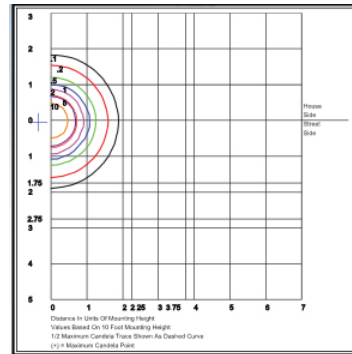
Job Name:

Type:

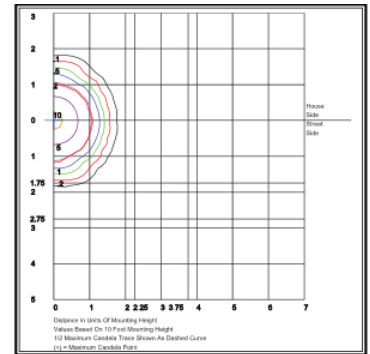


Catalog #	Description
PC1	120V Button Photocell
3EBL1202774500	Provides 90 Minutes of Backup Power.

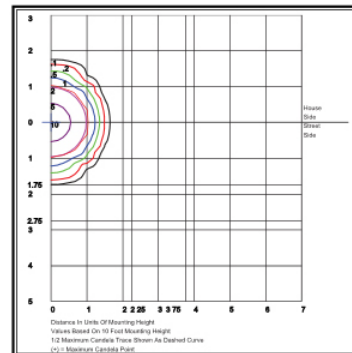
### PHOTOMETRICS



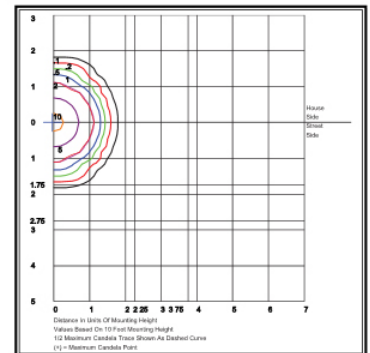
**LLWCTRDAC32X20U41K**



**LLWCTRDBC32X20U41K**



**LLWCTRDCC32X20U41K**



**LLWCTRDEC32X20U41K**

