

Job Name: _____

Type: _____

Part #: _____

Notes: _____

LLWLEZXTEU

COMPACT WET LOCATION
POLYCARBONATE EXIT SIGN

STANDARD

OPTIONAL



ILLUMINATION

- Ultra bright, energy efficient, long life Red or Green LEDs.

ELECTRICAL

- Dual 120/277 voltage.
- Unique bi-color LED indicator light alerts occupant on battery condition (Green-normal, Red-check battery).
- 4.8V long life, maintenance-free, rechargeable NiCd battery (EM models only).
- Internal solid-state transfer switch automatically connects the internal battery to LED board for minimum 90-minute emergency illumination.
- Fully automatic solid-state, two rate charger initiates battery charging to recharge a discharged battery in 24 hours.

HOUSING

- 5VA flame retardant, UV-stabilized polycarbonate in white, black or gray finish.
- High-impact resistant, UV-stabilized polycarbonate clear lens.
- Corrosion-resistant enclosure with engineering grade silicone gasket.
- Knockouts provided for conduit feed applications.
- EZ snap-out Chevron directional indicators.

WARRANTY / LISTING

- Five year warranty on all electronics and housing. Battery prorated for five years.
- Meets UL924, NFPA 101 Life Safety Code, NEC, OSHA, Local and State Codes.
- UL Listed for wet locations (-20°C – 50°C).
- Certified to CEC under Title 20 Regulations.

ORDERING INFORMATION

Model Number: LLWLEZXTEU

Enter the product specs above.

MODEL	No. of FACES	LETTER COLOR	HOUSING COLOR	BATTERY	OPTIONS	
LLWLEZXTEU	1	Single Face	R Red G Green	W White (with white faceplate) B Black (with black faceplate) G Gray (with white faceplate)	(blank) EM-CW Battery Backup (Cold Weather Standard)	SDT <i>Self-Diagnostics</i> ¹ 2C <i>Dual Circuit Operation</i> ² TP Tamper-Proof CUSTOM Custom Wording
	2	Double Face				

Special voltage & SALIDA face plate options available. .

¹ Available only with EM units.

² Available only with AC units.



Custom Signage Available

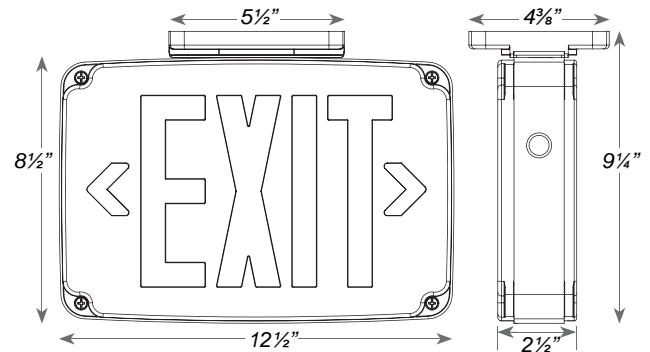
MOUNTING

- Polycarbonate mounting canopy included for top or end mount.
- Universal knockout pattern on back plate for wall mount.

OPTIONS

- SDT: Self-diagnostic feature performs monthly, biannual, and annual tests to ensure reliable operation and meets electrical and life safety codes.
- 2C: Dual circuit option on the AC-only unit enables it to be connected to two different (one acting as a back-up to the other) supplies at the same time.
- TP: Tamper-proof hardware helps prevent unauthorized access to the unit.
- Custom: Signs available with requested “special” wording.

DIMENSIONS

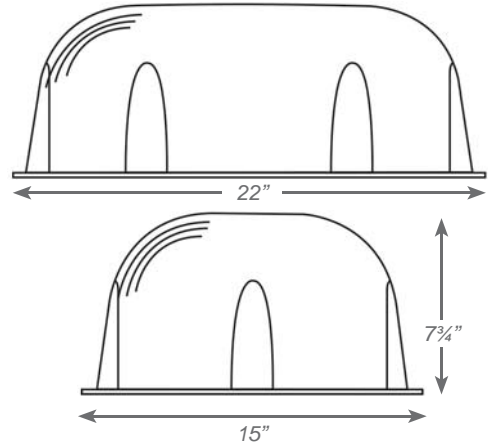


BG-1 Vandal Shield:

- High-impact resistant polycarbonate material.
- Mounting hardware provided for easy installation in the field.



BG-1



WG-1 Wire Guard:

- Durable 9-gauge steel construction.
- Mounting hardware provided for easy field installation.



WG-1

